

WILLIAMS
JET TENDERS

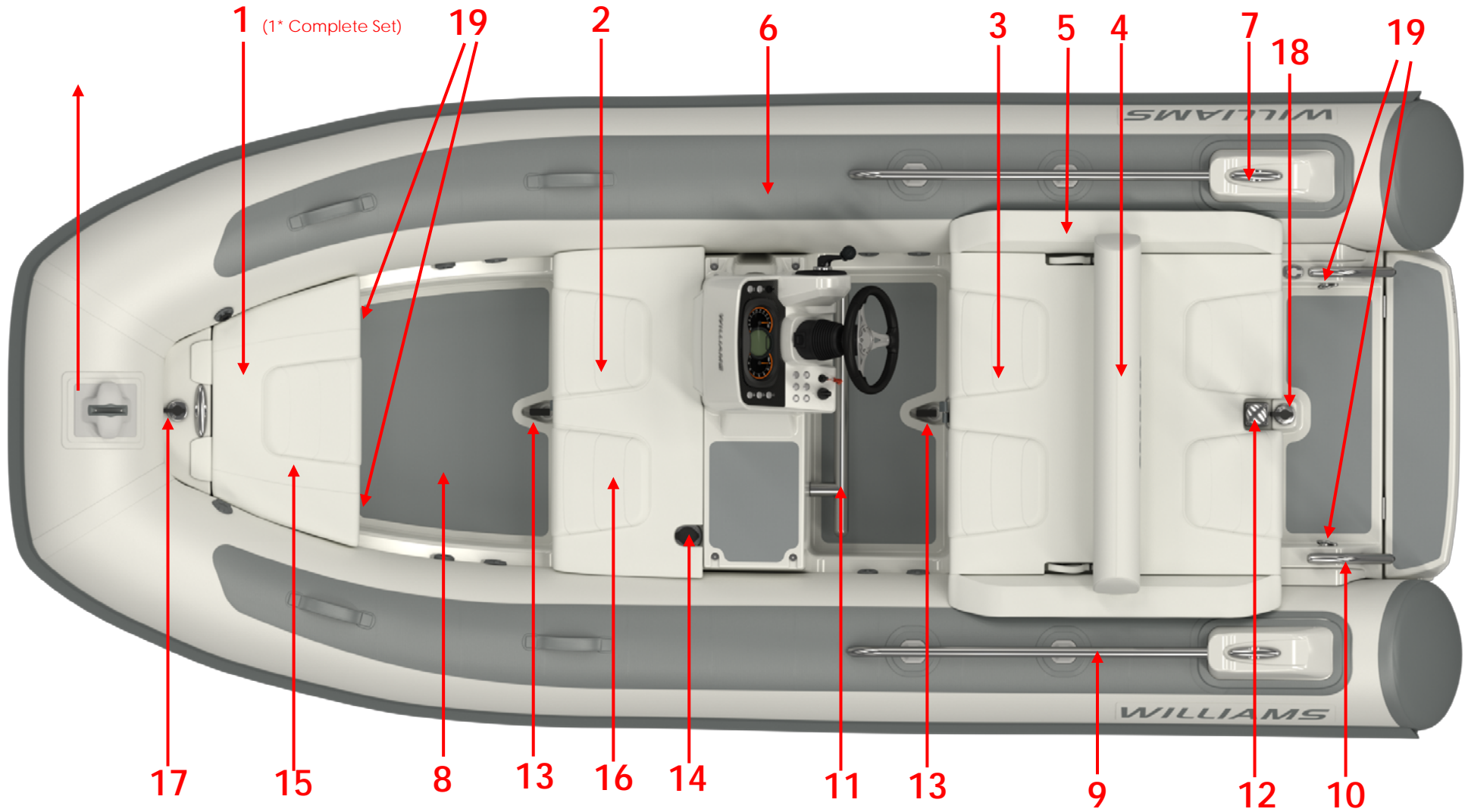
SPORTJET 435

2019 MY Parts Catalogue

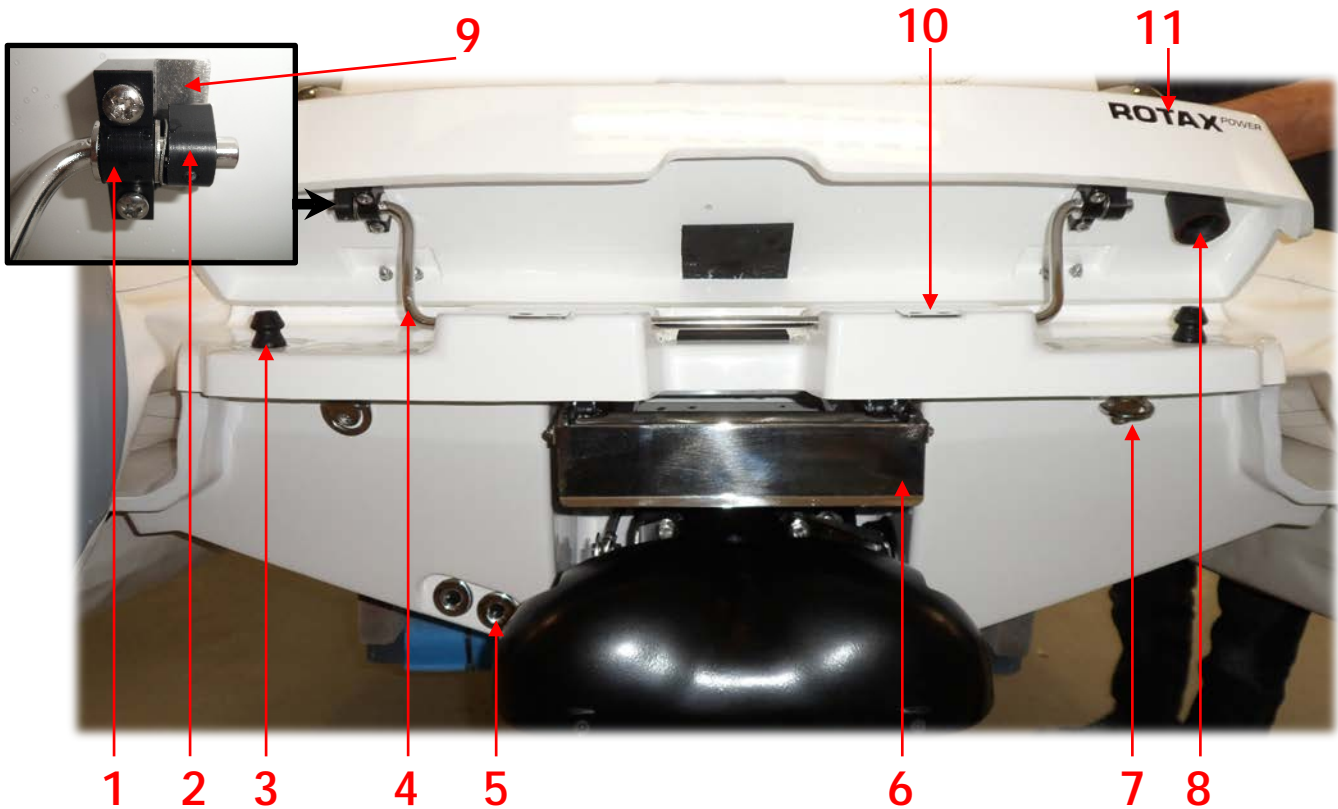


Issue Rev01	
Page 02	Sportjet 435 - Exterior
Page 03	Sportjet 435 - Exterior
Page 04	Sportjet 435 - Mechanical Footrest
Page 05	Sportjet 435 - Fittings
Page 06-08	435 – Console
Page 09	435 - Engine Bay Components (903) 90HP
Page 10	435 - Engine Bay Components (1503) 150HP
Page 11	Sportjet 435 – PPS Bracket Assembly
Page 12-14	435 – Pump and Controls
Page 14-16	435 – BRP Rotax 903 (90HP) Service Parts
Page 17-18	435 - BRP Rotax 1503 (150HP) Service Parts
Page 19	435 – Accessories & Optional Extras
Page 20	Sportjet 435 USA Fuel System Parts

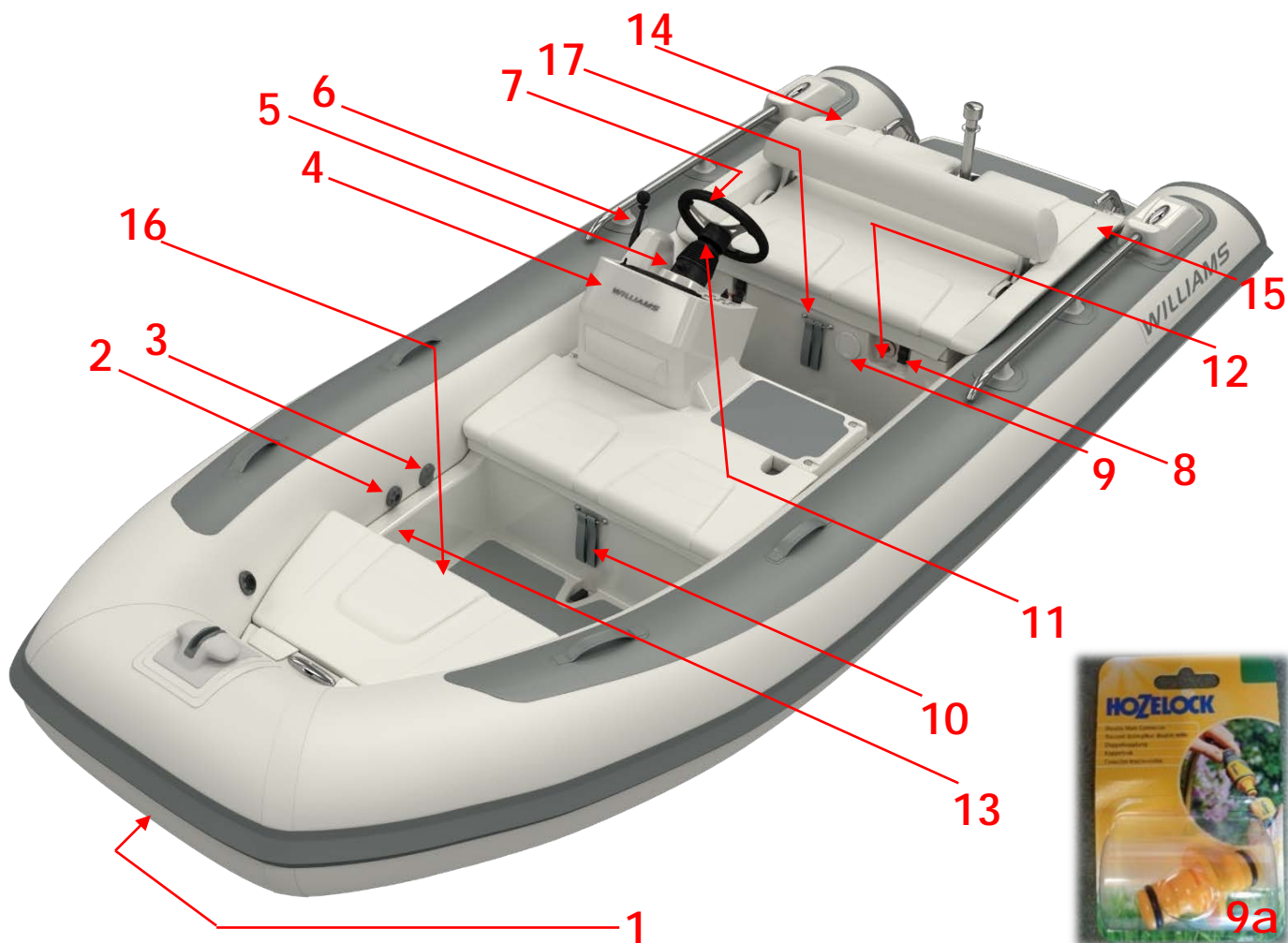
Standard White Gel Coat – Scott Bader - 65PA, unless specified



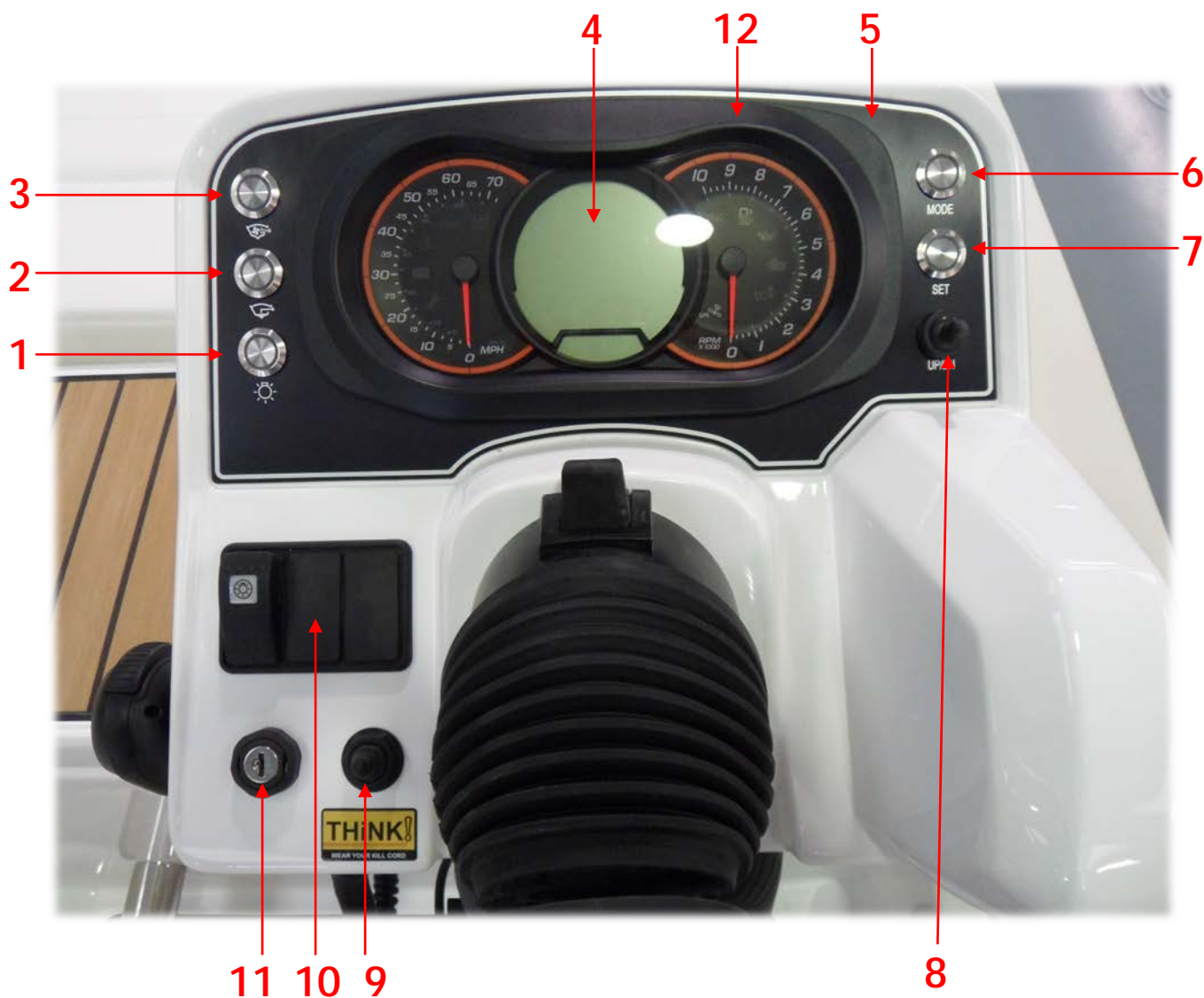
Position	Part Reference	Description
1	02-1170	435SJ Bow Cushion (Vinyl)
2	02-1171	435SJ Helm Cushion (Vinyl)
3	02-1172	435SJ Main Cushion (Vinyl)
4	02-1173	435SJ Back Rest Cushion (Vinyl)
5	02-1174	435SJ Main Cushion Side Bolster (Vinyl)
1*	01-3225	Standard Vinyl Upholstery, SJ435
6	01-0435-02	435 Off White/Neptune Grey with Bow Inflation 2017 Tube Rev 2
-	01-0435-01	435 Ocean Blue Fabric Impression with Bow Inflation 2017 Tube Rev 2
-	01-0435-05	435 Military/Artic Grey with Bow Inflation 2017 Tube Rev 2
-	01-0435-98	435 Sportjet Special 2017 Tube with Bow Inflation Rev 2
-	01-0435-15	435 Carbon White/Carbon Black with Bow Inflation 2017 Tube Rev 2
-	01-0435-20	435 Carbon Black/Carbon White Tube with Bow Inflation 2017 Rev 2
-	01-0435-30	435 Ivory/Off White/Sandy Brown Tube with Bow Inflation 2017 Rev 2
7	07-0015	Neatcleat 6 ref 66517-1"
8	01-3220	SeaDek SJ435 rev 2
8	01-3122	435SJ Flexi Teak Decking rev 2
8*	01-3122-GREY	435SJ Flexi Teak Decking (Grey Caulked)
8*	01-3122-WHITE	435SJ Flexi Teak Decking (White Caulked)
9	01-3018	P65 Tube Grab Handle rev 1
10	01-3260	Aft Turret Handle, SJ435
10*	05-0411	Bumper, Screw On, Ref: SOF-15140
11	01-3261	Helm Foot Rest, SJ435
12	01-3012	Ski Pole SJ345 complete with Socket Rev 3
12*	05-0305	SJ Ski Pole Clip 37/40mm ref 34.358.38 Each
12*	03-0204	Battery Retaining Strap (Vetus) Each
12*	07-0470	Ski Tow Cap (Black EPDM) rev 1
13	01-0034	Footwell Drain Bungs ref 45322 (X2 Per Boat)
14	01-1671-2017	Boarding Pole Base Dieseljet 2017 Rev 2 (Complete Fit Kit-00-6305)
14	01-1670-2017	Boarding Pole (Pole only, complete with cord) Rev 2
15	01-3130	SJ345/395 Stowage Bag, Anchor, 6 fixings – Front
16	01-0681	DieselJet Stowage Bag – Helm Seat
17	06-0105	Pole light Bi-col 411mm inc locking base
18	06-0360	White LED Pole Light Q144120KIT (inc Base & Clips)
19	05-0196	Pad Eye (Large)



Position	Part Reference	Description
1	01-3029 x 2	Mounting Block, Footrest Mechanical SJ340 Rev 1
2	01-3027 x 2	Cam Block, Footrest Mechanical
3	05-0408 x 2	Door Latch ref 1-666-2-MB (Includes No.8)
4	01-3031	Frame Assy, Footrest Mechanical SJ340 Rev 3
5	04-0023 x 2	Skin fitting, SS 1/2 bsp - 19mm hose 17.523.11"
6	99-0937	Bathing Ladder, P65 Rev 3
7	05-0195 x 2	Pad Eye (small) ref 2054744
8	See No.3	-
9	01-3028 x 2	Bracket, Footrest Mechanical SJ340 Rev 1
10	01-3026 x 2	Plate, Footrest Mechanical P65 Rev 2
11	08-0305	Rotax Power Label



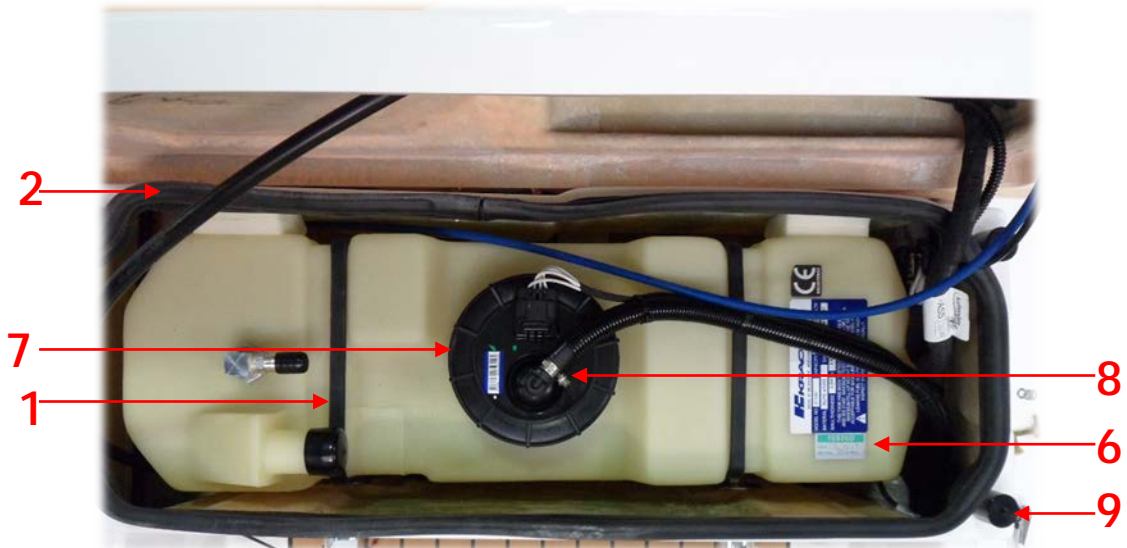
Position	Part Reference	Description
1	05-0165	Bow Eye ref 5026287 (39.127.01)
2	02-0258	Over Inflation Valve (Leaffield)
3	02-0257	Williams Tube Inflation Valve (Leaffield)
4	08-0015	Williams Helm Label superdome 170mm x 16mm
5	07-0525	Tilt Steering Control SJ340 35 deg SH91808P
6	07-0512	TFX Throttle/Shift Control CH2305-P ref Q017816 Rev D
7	01-2027	Gussi Steering Wheel 33cm Black 30643341
8	07-0036	Console rubber catch ref C7-10-B
9	04-0085	Flushing unit female ref 47817
9*	04-0095	Hose Connector 1/2 - 3/4" female ref NTBF3412"
9a	04-0090	Hozelock adaptor male - male ref 2291
10	01-0072	Wrist Strap Grey/Black (Polyester webbing)
11	01-1701	Quick Release Hub (B&G) 2016 (Option)
12	02-0230	Battery Isolator Key (Blue Sea)
13	06-0336 x 4	Deck Light White (Option) Complete Fit Kit 00-6201
14	01-0226	Flag Pole Base
14*	01-0225	Flag Pole S/S
15	99-0041	VHF Antenna Pacific ref P6115 Mount & P6106 0.45 Antenna (Option)
15*	02-0715	VHF P6106 (0.45m) Antenna Only
16	07-0014	Front Cleat 6 fixed ref Q042415"
17	01-0930 x 3	Webbing Bridge
-	09-0008	Hatch Seal DX79



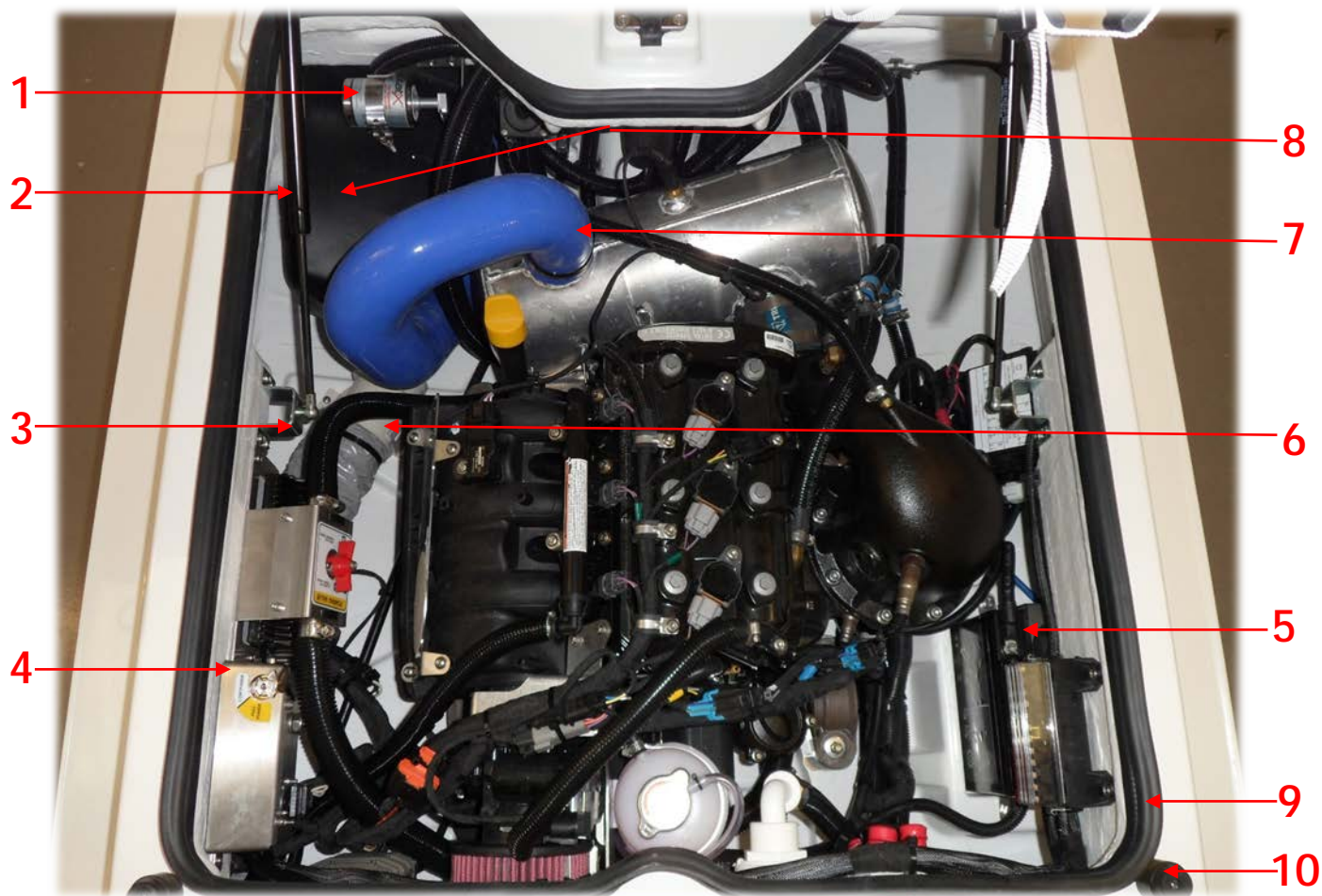
Position	Part Reference	Description
1	06-1007-2018	Navigation Switch BTNAVLEDSW/D
2	06-1011-2018	Bilge Pump Momentary Switch BT15LEDSW-MB/D
3	06-1005-2018	Bilge Blower ON/OFF Switch BT15LEDSW1-B/D
4	06-0502	Base Cluster with Learner Mode 0461994
5	08-0412	Aluminium Helm Inlay rev 2
6	06-1006-2018	ON/OFF Control Switch
7	06-1006-2018	ON/OFF Control Switch
8	01-3065	Toggle Switch Cover RS ref 233-3936
8*	06-1008	Toggle Switch Carling ST-Series STL2E1-58
9	06-0020	Tether Switch ref 7050-16 inc 9250 nut
9*	07-0035	Kill Cord ref 9207
10	06-0670	Deck Light Switch (Option)
10	06-0672	Auto Inflator Switch (Option)
10	06-0673	Underwater Light Switch (Option)
10	06-0674	Music Switch (Option)
10	30-0024	Blanking Plate Carling VHP-01-XLT1
11	06-0550	Key Switch 3 Way 95060-03
12	01-1515	Sportjet Gauge Bezel



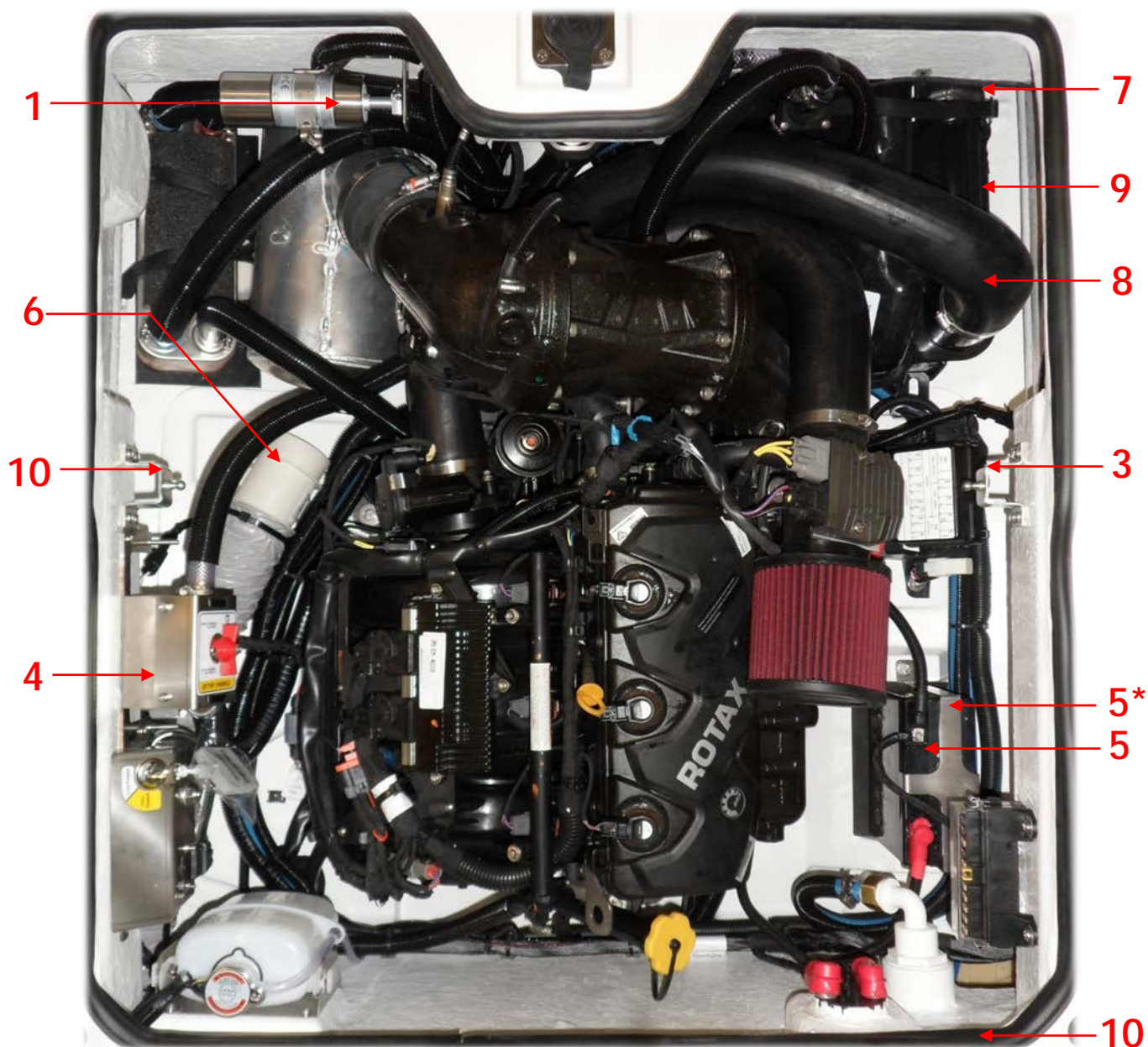
Position	Part Reference	Description
1	07-0512	TFX Throttle/Shift Control CH2305-P ref Q017816 Rev D
2	04-0206	Louvre Ventilator (Rectangular)
2	99-0924	Ray 52 VHF Radio E70345 (Option)
3	01-3054	VHF GRP Moulded Mount (Required when fitting VHF)
4	07-0547	Fuel Filler 45 degree GAS Perko
5	01-1701	Quick Release Hub (B&G) 2016 (Option)
6	06-0049	2 Pin Plug & Socket BD500
7	99-0953	Dragonfly 5Pro Chart Plotter (Option)
8	01-3135	MFD (Dragonfly) Mounting Bracket (Option)
8*	05-0420	Semi Blind Rubber Grommet (Option)
8*	99-0952	Through Hull Transducer CPT-S-DF (Option for Dragonfly Only)
-	99-0955	Kongsberg Transducer 278002954 (Option-Depth sounder only for Cluster)
-	06-1010	Depth Sounder Jump Cable for use with 99-0955
-	99-0956	Base, Depth Sounder ref 278001994 for use with 99-0955
-	05-0430	Gel Pad (for Kongsberg Transducer) ref 293550042 (for use with 99-0955)



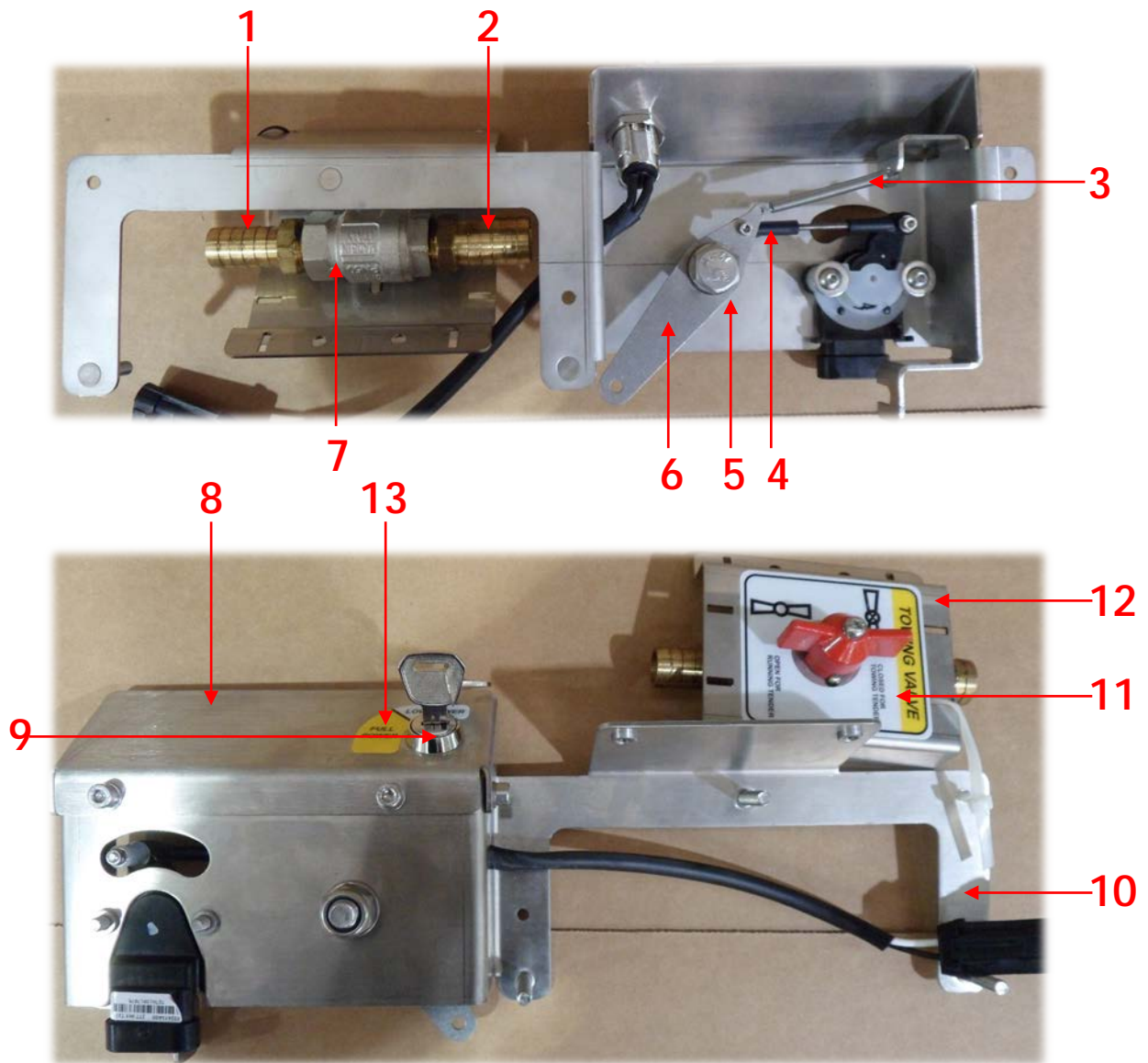
Position	Part Reference	Description
1	05-0013 x 4	Exhaust Strap 9" T1
1*	05-0028	S Hook, SS, Small x 8
2	09-0008	Hatch seal ref DX79
3	03-0600	Mini-Rack Steering Cable (Sportjet)
4	03-0460	Throttle Cable Hilex
5	03-0602	Cable, Reverse Cable - Hi-Lex 3.4m
6	01-3275	Fuel Tank, SJ435 13.2 Gallon (60L) ref
7	00-1011	Fuel Pump Nut/Fuel Line sub Assy 0460876-00
8	06-0700	Fuel Pump, (Long) BRP ref 460674
9	05-0409	Helm Bumper Stop (Ali) x4
9*	20-0356	M8 x 30 Flat Head Screw (Polished & Netted) x4



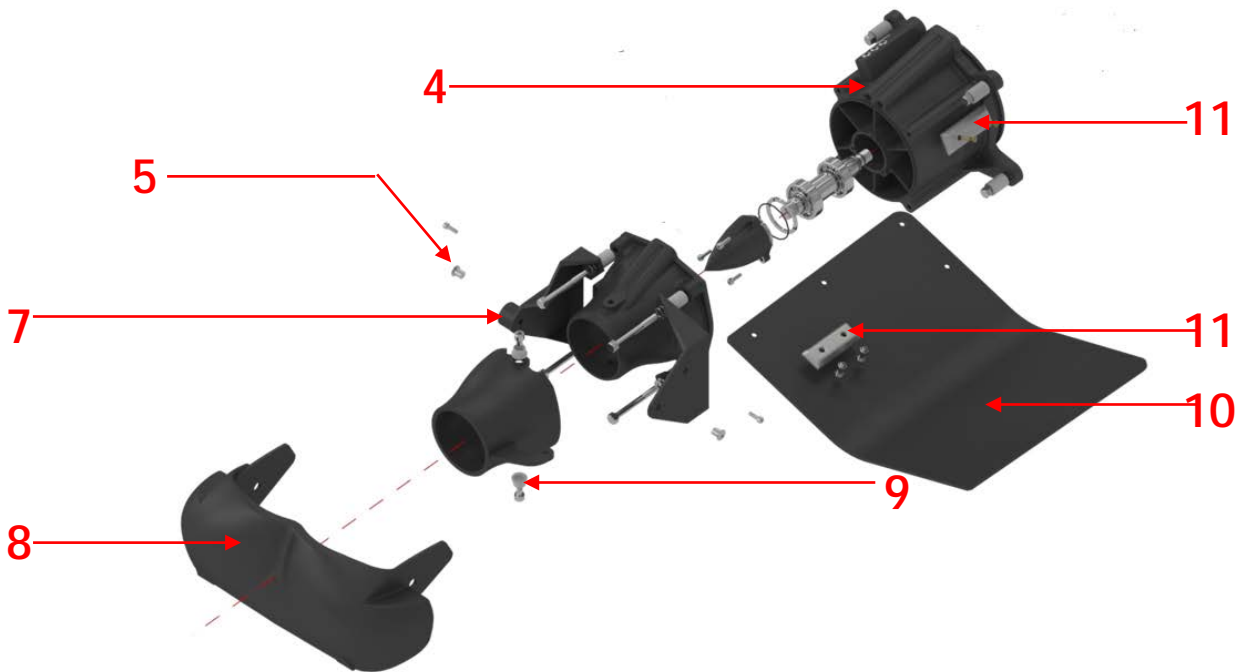
Position	Part Reference	Description
1	99-0925	Auto Fire Extinguisher ref Stat X G30T
2	07-0552	Gas Strut, 8-18-150-390-MB-MB-180N
3	07-0478 x 2	Gas Strut Bracket Attwood SL77P3-1
4	-----	Assembly - PPS Bracket (See PPS Bracket Assembly Page 11)
5	06-0007	Battery 12V 20ah Energy XR600 12v 20ah
5*	01-3041	Battery, Bracket P65 rev 2
6	07-0150	Bilge Blower Rule 140
7	03-0601	Link Hose, Exhaust rev 4
8	07-0573	Resonator ref 0460250
9	09-0008	Hatch seal ref DX79
10	05-0301	Engine Bumper Ref: 462181
10*	01-3066	Spacer, Bump Stop P65 Rev 1



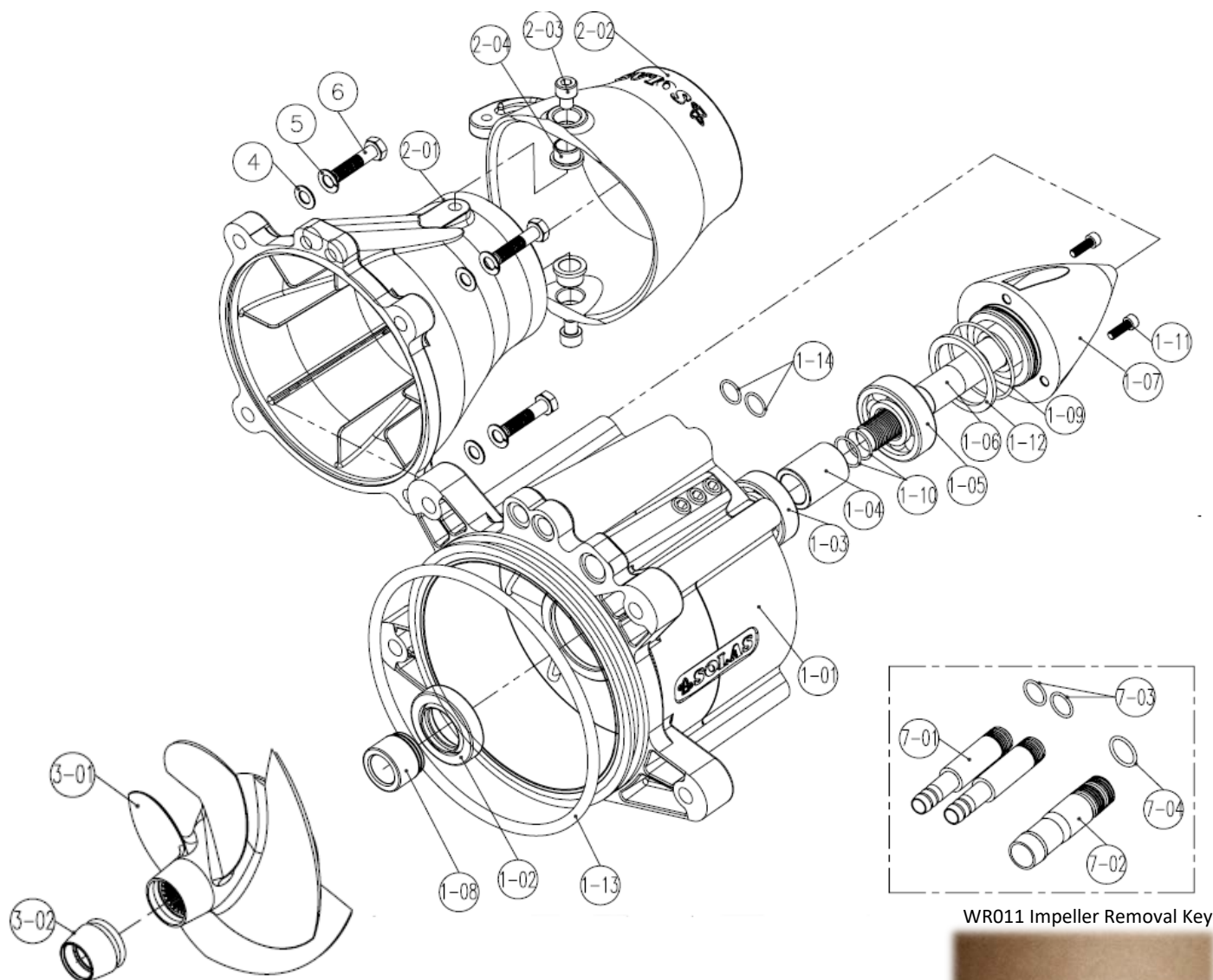
Position	Part Reference	Description
1	99-0010	Auto Fire Extinguisher ref Stat X G60T
2*	07-0552	Gas Strut, 8-18-150-390-MB-MB-180N
3	07-0478 x 2	Gas Strut Bracket Attwood SL77P3-1
4	-----	Assembly - PPS Bracket (See PPS Bracket Assembly Page 11)
5	06-0007	Battery 12V 20ah Energy XR600 12v 20ah
5*	01-3041	Battery, Bracket P65 rev 2
6	07-0150	Bilge Blower Rule 140
7	02-1169	Resonator to Outlet ref 0461056
8	02-1175	Exhaust Can to Resonator ref 0461055
9	07-0650	Resonator ref 461100
10	09-0008	Hatch seal ref DX79
-*	05-0301	Engine Bumper Ref: 462181
-*	01-3066	Spacer, Bump Stop P65 Rev 1



Position	Part Reference	Description
1	04-0061	1/2 BSPT - 5/8" Hosetail ref 1-76012"
2	04-0062	1/2 BSPT - 3/4" Hosetail ref: 1-76013" (Different for 1503)
3	07-0456	PPS Spring E8801550
4	05-0306 x 2	M3 Rod End Long RC4WD (M3)
5	07-0467	Sintered Plain Bearings AM101516
6	01-2033	Minijet Reducer Arm rev 3
7	04-0060	Ball Valve PN50 1/2 BSP ref: 1-75210"
8	01-3060	Learner Key Cover, PPS Bracket SJ rev 2
9	06-0548	Maplin Key Switch CJ98G
10	01-3024	SJ PPS Bracket rev 3
11	08-0087	Towing Valve Position Label Rev 2
12	01-0195	Towing Valve Bracket Rev 4
13	08-0407	Minijet Power Limit Switch label.



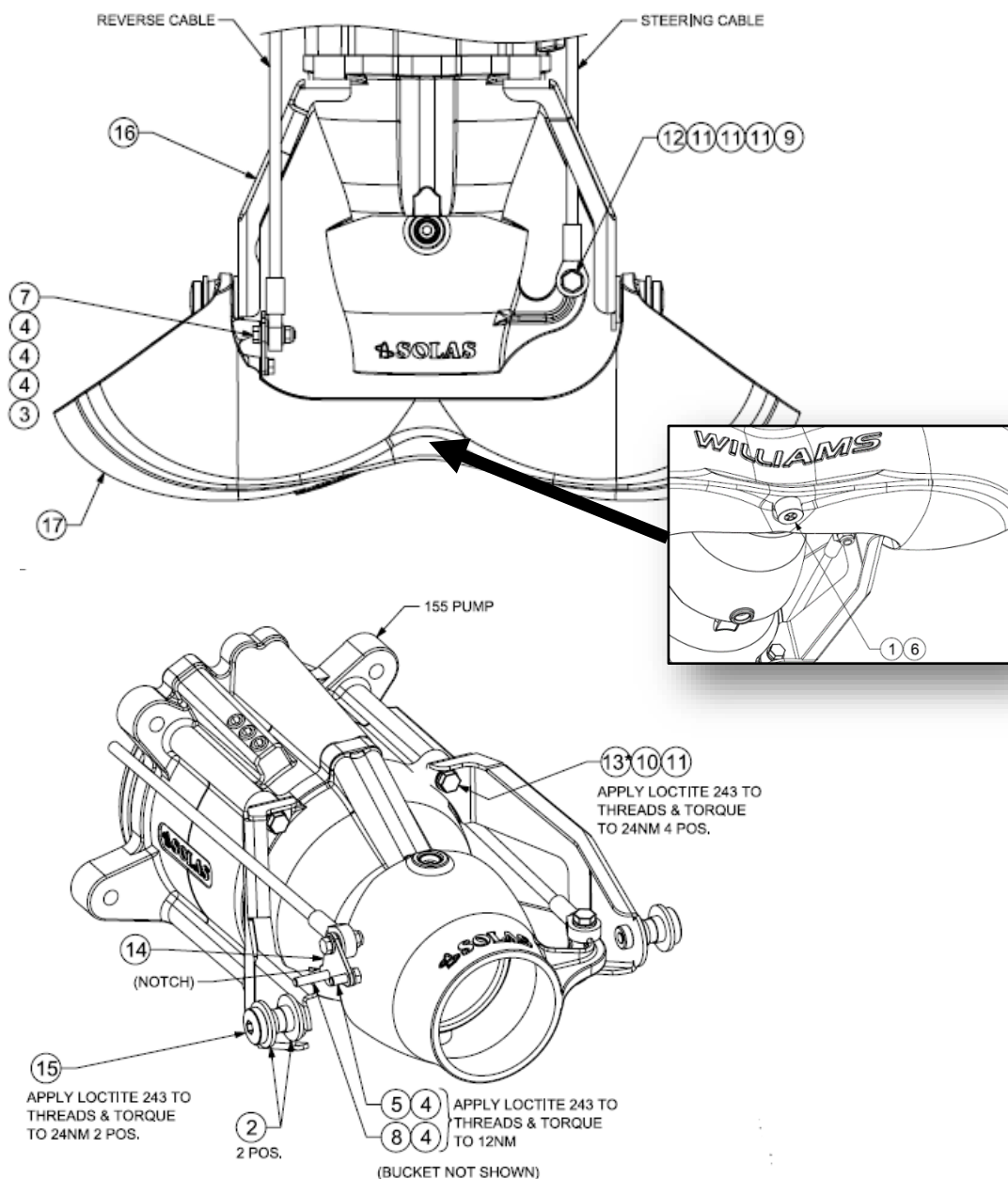
Position	Part Reference	Description
1	01-3270	Shroud, Steering Cable
2	05-0140	Female Rod End
3	07-0220	Rod End 12367-STF-5
4	07-0095	Solas Pump unit SD-PM-155 10/18 Impeller (1503-150HP)
4*	07-0560	Solas Pump unit SD-PM-155 8/12 Impeller (903-90HP)
5	01-3288	Reverse Gate Pivot Bolt, 140/155
7	01-3286	Reverse Gate Support (Pair) 435 Rev 3
8	01-3165	Reverse Gate Casting inc Machining (140/155) Rev 2
9	20-0030	M8 x 150mm Pump Mounting Bolt
10	01-3010	Ride Plate P65 rev 2
-	07-0060	Intake Grate Casting
11	07-0430 x 2	Aluminium Anode ref 2-24411A



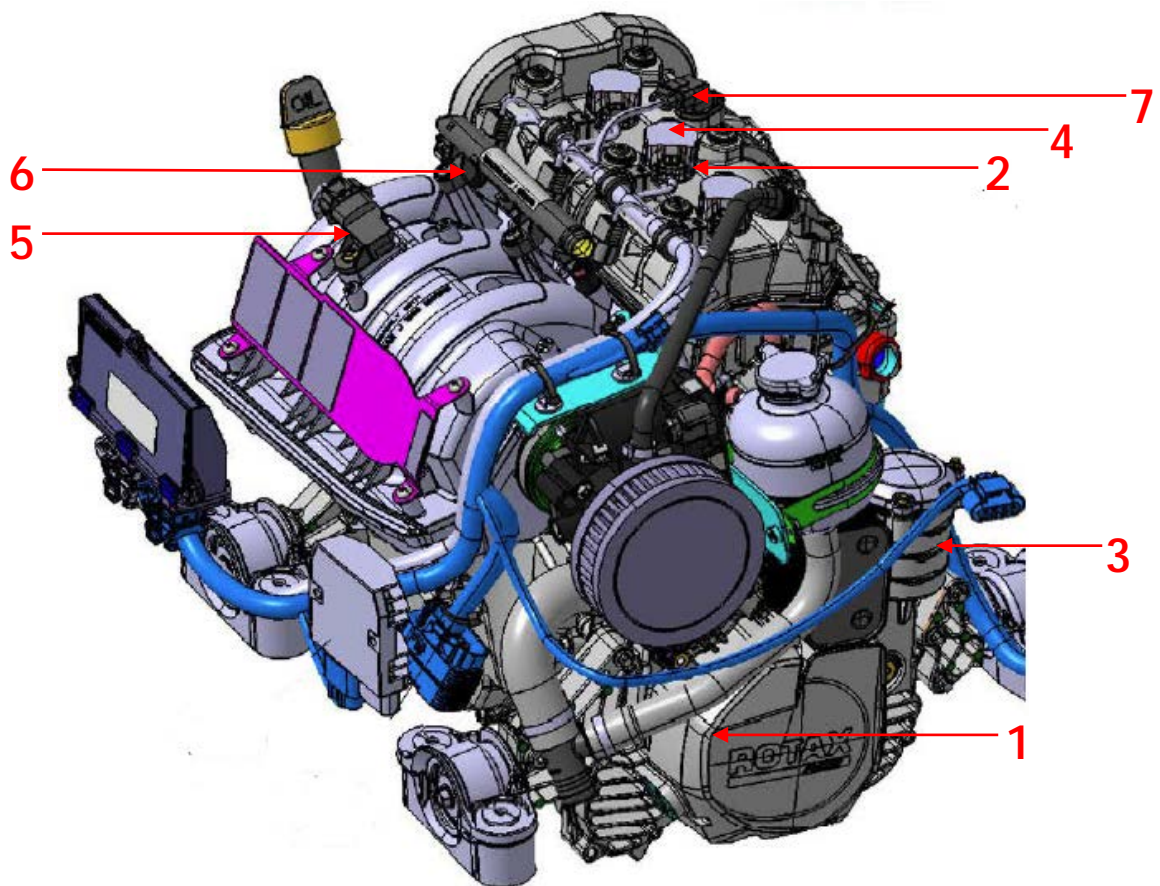
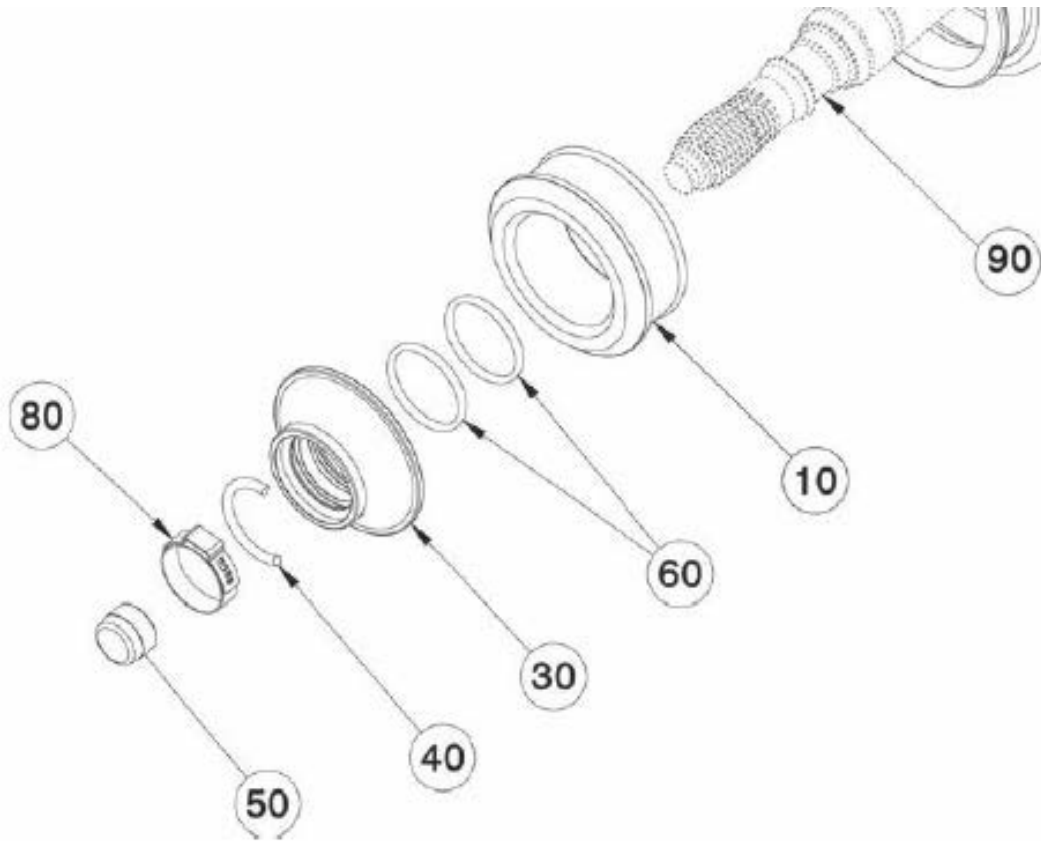
WR011 Impeller Removal Key



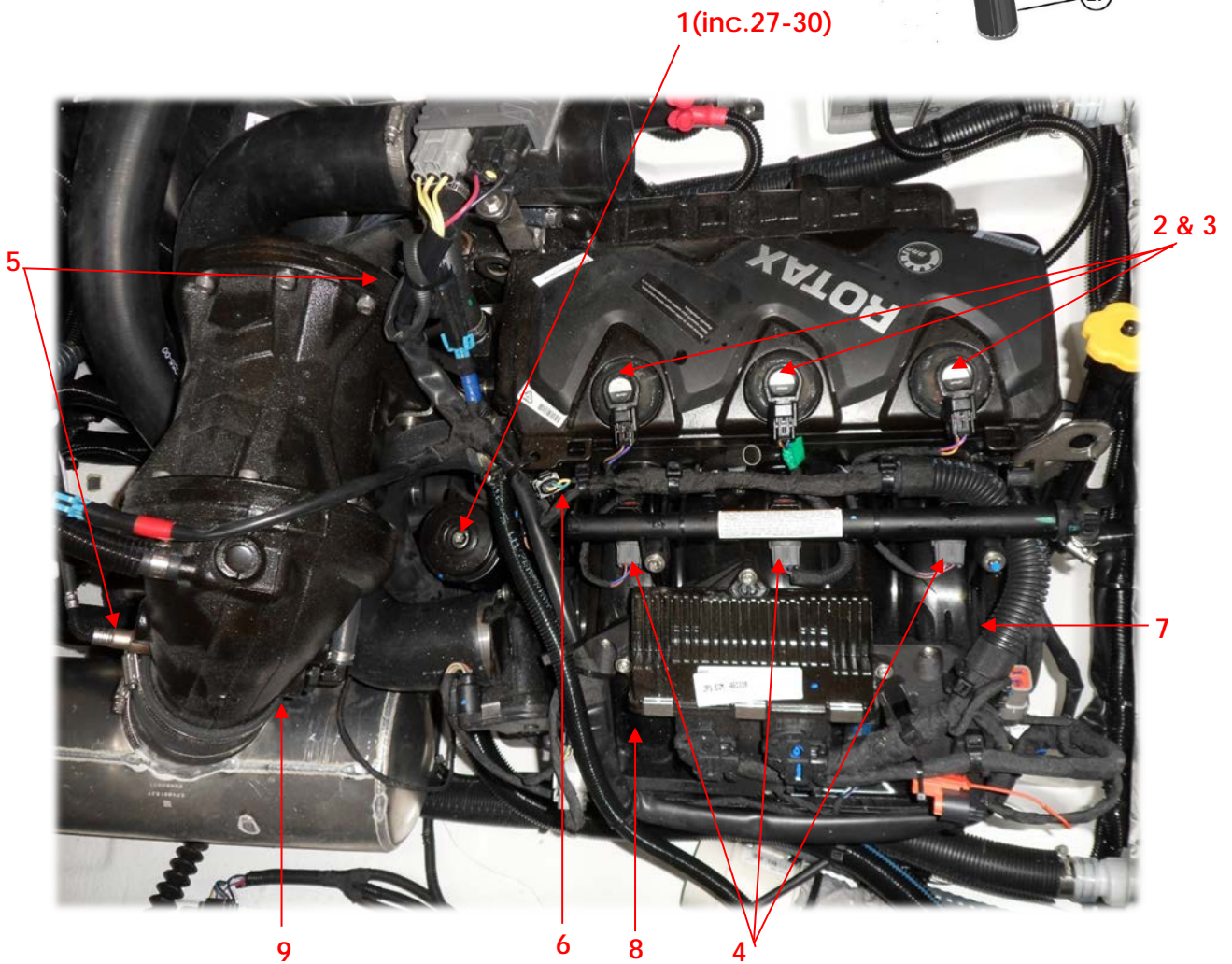
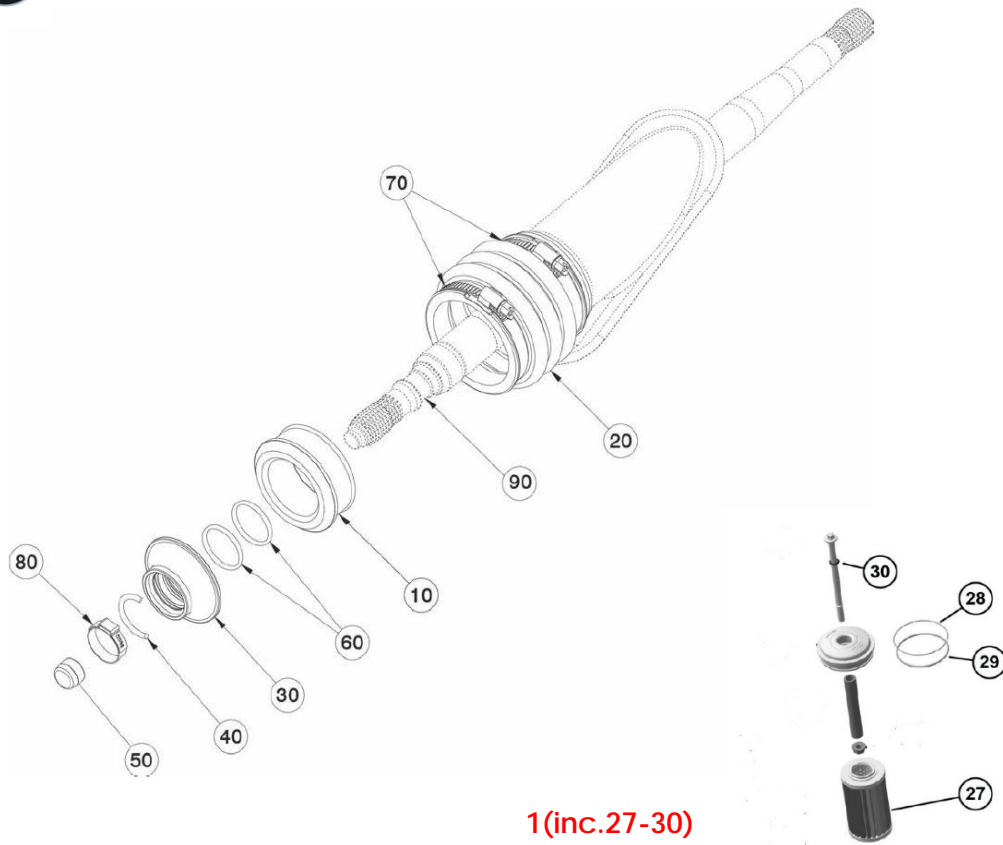
Position	Part #	Description
2-04	02-0108 x 2	Bushing plastic trim SDNZ140-03-01
1-14	02-0454	O Ring S14 ref 85070035
1-02	02-0450	155 Pump Seal ref 85060010
1-13	02-0453	O Ring AS440 ref 85070056
1-13*	02-0457	*Older Style L-Shaped Seal - Jet Pump Seal ref 85990007
1-03	02-0274	SW155 Bearing 6204C3TPI
1-10	02-0452 x 2	O Ring S18 ref 85070005
1-05	02-0275	SW155 Bearing 6304C3TPI
1-06	02-0726	SW-HSV-155-03 Shaft ref 260214315503
1-12	02-0750	BRT 52x42x3 Back Up Ring ref 85990001
1-09	02-0129	O Ring S48 ref 85070017
7-01	01-1548 x 2	Siphon Tube 10mm O/D S/S 269804014002
7-03	02-0109 x 2	O Ring P14
7-04	02-0112	O Ring P17 NP07-020
WR011	99-0160	Impeller Wrench Key 445 (WR011)
3-01	07-0115	Impeller Concord SR-CD-10/18 (1503-150HP)
3-01	07-0116	Impeller 8/12 for SJ435 (903 - 90HP)
2-02	02-0242	Nose Seal S08/R08 84019000 (1503 - 150HP)



Position	Part reference	Description	QTY
1	07-0005	Zinc Anode small	1
2	24-0088	Reverse Bucket Pivot Bush ref P11542N	4
3	22-0098	M6 Nylock full Nut A4	1
4	21-0103	M6 Flat Washer A4	5
5	20-0110	M6 x 16 Hex Head Bolt A4	1
6	20-0047	M6 x 20 CSK Pozi M/S Screw	1
7	20-0209	M6 x 25 Hex Head Bolt A4	1
8	20-0210	M6 x 30 Hex Head Bolt A4 S/S	1
9	22-0099	M8 Nylock Nut A4	1
10	-		4
11	21-0104	M8 Flat Washer A4	7
12	20-0227	M8 x 35mm A4 Bolt	1
13	20-0202	M8 x 45 Hex Bolt A4 S/S	4
14	01-3287	Reverse Actuator Plate rev 2	1
15	01-3288	Reverse Gate Pivot Bolt, 140/155	2
16	01-3286	Reverse Gate Support (Pair) 435 Rev 3	1
17	01-3165	Reverse Gate Casting inc Machining (140/155) Rev 2	1



	Part Reference	Description
1	02-1057	Crank Shaft Position Sensor 0460685 or 420966570
-	02-1065	Exhaust temperature sensors ref 0460317-00
2	02-1083 x 3	Spark Plug 0461716
3	02-1080	Oil Filter 0461603
3	02-1081	O Ring (Oil Filter) 0461604
-	02-1064	Fuel Filter (Paper Membrane) ref 270600113
-	07-0501	Heat Exchanger Alfa Laval (CB10-14H) 0461530-00
-	10-0251	Triple Guard Grease ref 296000329
-	10-0274	XPS Synthetic Grease 293550010
4	02-1082 x 3	Coil Stick 0461714
-	02-1086	O2 Sensor kit 0461576
5	02-1087	Pressure Temp Sensor 0461634
6	02-1088 x 3	Injector 0461635
7	02-1089	Cam Shaft Sensor 0461712 (1503 / 903)
-	02-1108	Starter Relay ref 0460813/278003012
-	02-1040	Rotax Diagnostic Tool 529036353
-	02-1041	Rotax Diagnostic Tool 710000851
-	00-1015	PPS Assembly Kit 0460878-00
-	00-1011	Fuel Pump Nut/Fuel Line sub Assy 0460876-00
90	07-0565	Driveshaft, 435 ref 462156
-	00-1145	Driveshaft Bellow Assy ref 461894
10 & 30	02-1025	Floating Ring, Ref: 271001889 (0460382)
60	02-1024 x 2	O-Ring, Floating Ring Ref: 293300044 (460332)
40	02-1071	C Clip ref 271001575 (0460237)
80	02-1093	Crimp Clamp ref 0461511
50	02-1092	Plug ref 0461392 (271001965)



Position	Part Reference	Description
30&10	02-1031	Carbon Ring (0460208) & Floating Ring (0460210)
20	02-1030	Drive Shaft Bellows (0460209)
50	02-1092	Plug (0461392)
70	0460345	Clamp (0460345)
80	02-1093	Crimp Clamp (0461511)
40	02-1072	C Clip (0460215)
60	02-1033	O-Ring (0460335)
90	02-1158	Driveshaft
--	01-1014	Driveshaft Bellows Kit 903 ref 0461893-00 (Includes all above except #90)

Position	Part reference	Description
1	02-1035	Oil Filter Kit ref 0460902
2	02-1042	Spark Plug (NGK DCP-R8E) 0460670
3	02-1053	Ignition Coil 0460679
4	02-1058	Fuel Injector (without CAT) 0460668 or 420874834
4	02-1059	Fuel Injector O Ring 0460426 or 420431890
4	02-1060	Fuel Injector O Ring 0460437 or 420631220
-	02-1064	Fuel Filter (Paper Membrane) ref 270600113 (Located inside fuel tank)
-	10-0251	Triple Guard Grease ref 296000329
-	10-0274	XPS Synthetic Grease 293550010
-	02-1040	Rotax Diagnostic Tool 529036353 MPI
-	02-1041	Rotax Diagnostic Tool 710000851 Cable
5	02-1086	O2 Sensor kit 0461576 (Includes Sensor & Oring)
6	02-1063	Engine Temp Sensor 0460688/278002895
7	02-1062	Manifold Air Temp Sensor (MATS) 0460681 or 420222423
8	02-1061	Manifold Pressure SEnsor (MAP) 0460680 or 420274057
9	02-1065	Exhaust temperature sensors ref 0460317-00
-	02-1057	Crank Shaft Position Sensor 0460685 or 420966570

Auto Tube Inflation (Full & Bow) – Check original tube spec for compatibility

Position	Part reference	Description
-	01-3055	Auto Inflate Pump Bracket
-	02-0256	Leaffield inflation adaptor 20mm 1312002-Rev 1
-	03-0610	Bellow 750D ref 03.413.02
-	06-0672	Auto Inflator Switch ref VRD2AHOCAXCXX1XXXIF1
-	06-1004	Accessory Harness, SJ340
-	35-0012	Conduit 13mm GCS13/100
-	99-0355	Automatic Tube Inflator (Bravo Turbo Max Kit 6607025)

Music

Position	Part reference	Description
-	08-0326	Audio In Label (2015)
-	99-0213	AM/FM Dipole Antenna
-	99-0462	Fusion 6" Speaker MS-FR6021
-	99-0469	Fusion Bluetooth Module MS-BT200
-	99-0470	AM/FM/VHF Radio 4 x 45W MS-RA205
-	99-0900	USB Connector Cable 1m (Fusion MS-CBUSBFM1)

Weathermax Cover

Position	Part reference	Description
-	99-1016	435SJ Grey/White Weathermax Cover
	99-1016-04	435SJ Light Grey Weathermax Cover
	99-1016-07	435SJ Black Weathermax Cover
	99-1016-50	435SJ Navy Blue Weathermax Cover
	99-1016-58	435SJ Blue/White Weathermax Cover
	99-1016-99	435SJ White Weathermax Cover
	99-1016-98	435SJ SPECIAL Weathermax Cover

Fitting & Handling

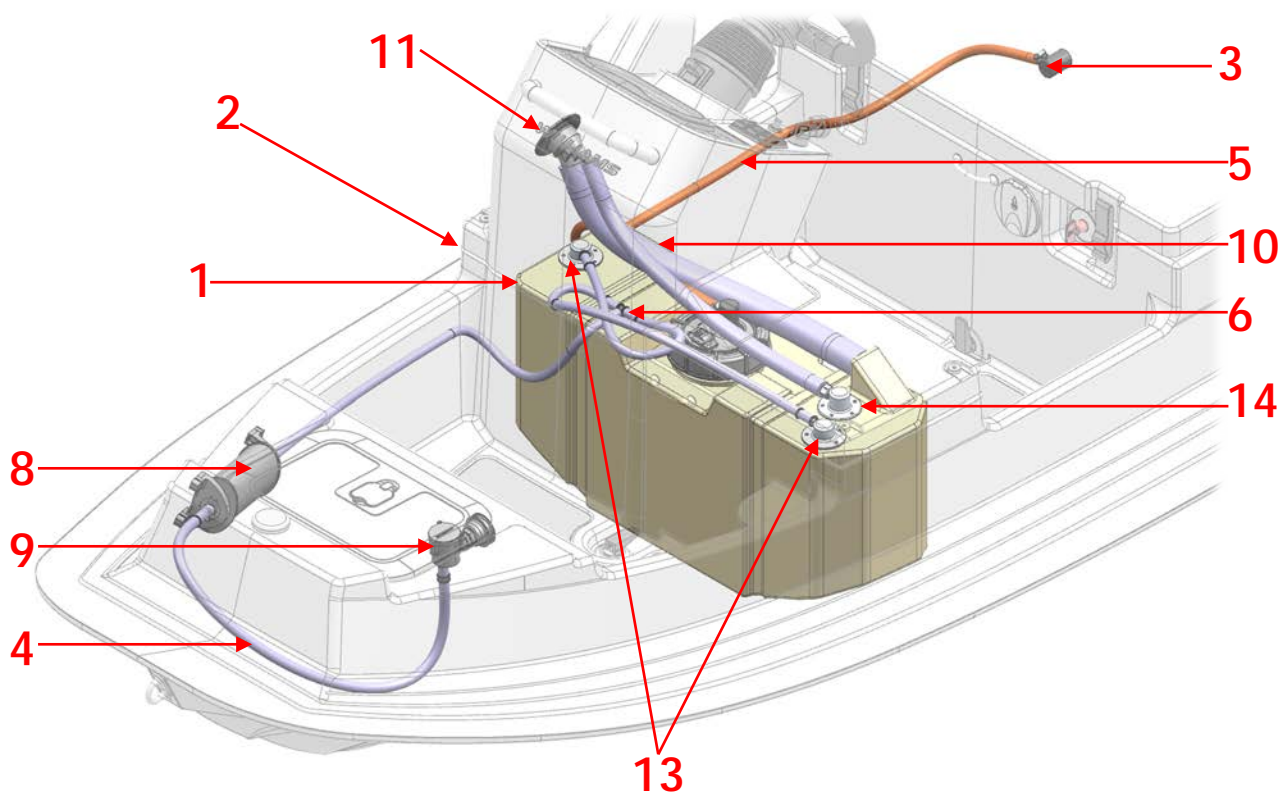
Position	Part reference	Description
-	99-0405	White Chocks complete with sockets
-	99-0105	435 Tie Downs
-	99-0938	435SJ Lifting Strops
-	99-0061	345/395/435 Over Straps

Towing Kit

Position	Part reference	Description
-	05-0195 x 2	Pad Eye (small) ref 2054744
-	07-0049 x 2	Laser Plate 50 x 50 x 2mm ref X05736
-	99-0480	Towing Straps

Accessories

Position	Part reference	Description
-	99-0024	High Speed Auto Electric inflator Bravo BST800 ref 6130132
-	99-0037	Accumate 6/12V with mounting bracket. (ACC EU)
-	99-0038	Accumate 6/12V ACCUSA 110V
-	99-0201	Anchor S/S Claw 1kg complete with chain & rope ref Q133999
-	99-0006	Paddle ref 6293103 TSP50/120 Black



Position	Part reference	Description
1	01-3017-EPA	Fuel Tank EPA (USA)
2	01-3151	Inspection Hatch Plate, (USA)
3	01-3153 x 2	Quick Connect Cover Shield SJ (USA Fuel line)
4	03-0280	Silicone Hose VENA HTD D16
5	03-0615	USA Fuel Hose Assy 62" (SJ)
6	04-0222	5/16" ID Equal Tee plastic PN23-8
-	05-0049	Big Head 316-F2/S23-M6 x 5mm
8	07-0395	Canister 0.5L with Heat Shield PK0485H05035
9	07-0399	P-Trap Straight White PK0630004WHT
10	07-0448	ICV In Fill Pipe Perko 0635000
11	07-0546	Fuel Filler 45 degree GAS Perko EPA ref 0662G00BLK
-	08-0301	EPA Compliant Label
-	08-0348	NMMA US Coast Guard Label 395SJ
-	09-0056	CO Warning Label Helm ref ESP930213
-	09-0057	CO Warning Label Transom
-	08-0355	USCG Fuel System Label (SJ)
-	08-0356	USCG Servicing of Engine Label (SJ)
13 & 14*	03-0281	Seal
13	07-0397	Valve TVV.SM Flanged PK0588F00
14	07-0516	Valve-FLV-Flanged-Fill-Limit PK0586F00118

