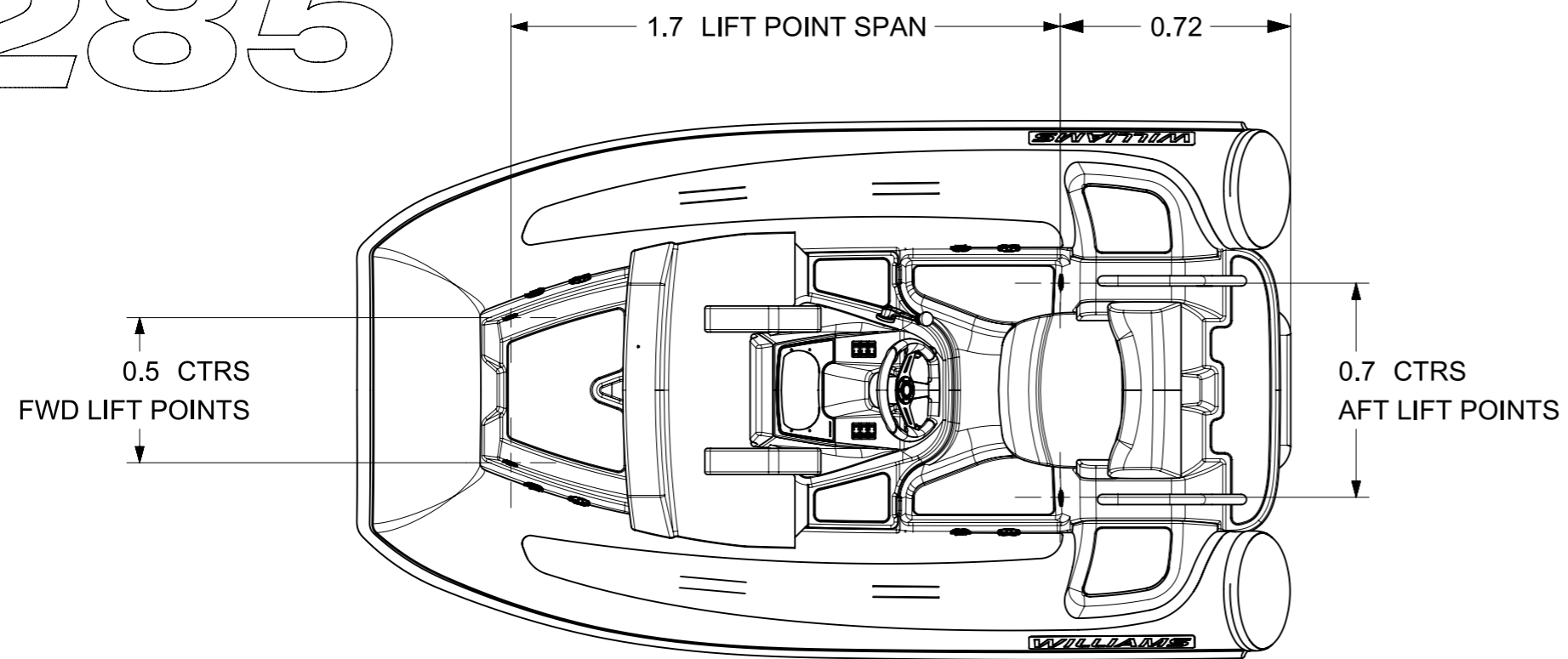
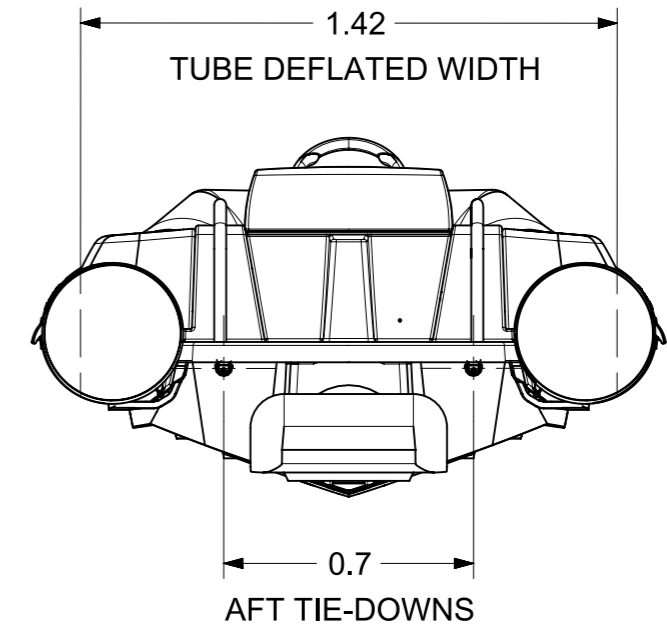
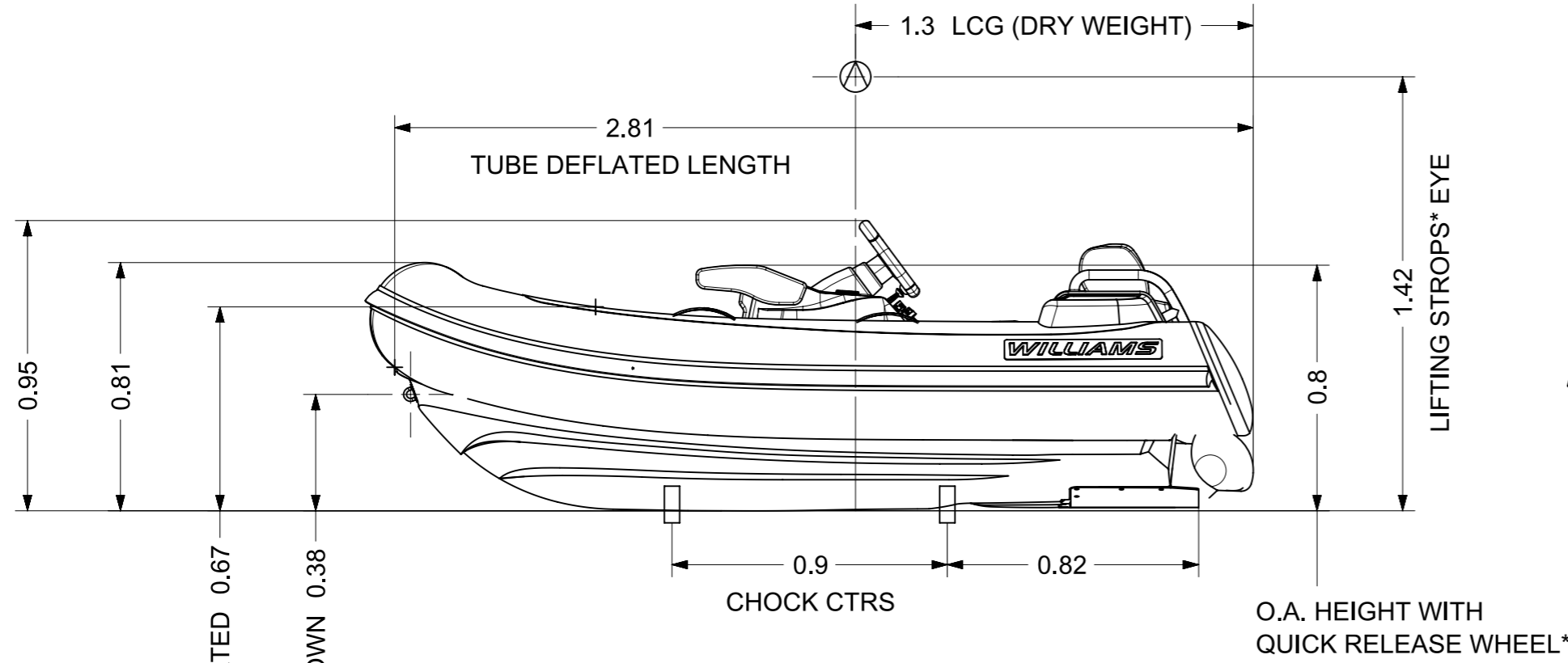


# TURBOJET 285

LENGTH O.A.	2.90m (±1%)
BEAM O.A.	1.70m (±1.5%)
DRAFT (FULLY LOADED)	0.23m / 0.35m
ENGINE	ROTAX 900 ACE
POWER	90hp ≅ 67kW
DRY WEIGHT	294Kg
SEATING CAPACITY	3
FUEL	PETROL
FUEL CAPACITY	40L
MAX. SPEED	46mph ≅ 74kph
No. TUBE COMPARTMENTS	4
CE DESIGN CATEGORY	C



1. LENGTH/ BEAM TOLERANCE DUE TO VARIATION IN TUBE AIR PRESSURE.
2. AVERAGE DRY WEIGHT STATED; ACTUAL WEIGHT DEPENDANT ON OPTIONS FITTED.
3. STANDARD CHOCKS\*: 99-0153  
CHOCK PROFILES DRAWING: RD1013



REV.	DATE	DETAILS	DRAWN	APPV'D
2	14/09/18	RIDE PLATE UPDATE	GT	DBS
1	16/08/18	PRODUCTION RELEASE	GT	DBS

GENERAL TOL.  
0 ±0.50  
0.0 ±0.25  
0.00 ±0.10  
0' ±0.50\*

NOT FOR PUBLICATION - THIS DRAWING IS THE PROPERTY OF WILLIAMS PERFORMANCE TENDERS LTD. AND IS ISSUED ON CONDITION THAT IT IS NOT COPIED, RE-PRINTED OR DISCLOSED EITHER WHOLLY OR IN PART TO ANY THIRD PARTY NOT AUTHORISED TO RECIEVE IT

NAME	DATE	<b>WILLIAMS</b>
DRAWN GT	16/08/18	
APPV'D DBS	16/08/18	
PROJECT: -		
INSPECTION LEVEL:		TITLE
MATERIAL & FINISH	-	<b>TURBOJET 285 (2019MY)</b>
	-	
REMOVE ALL BURRS & BREAK SHARP EDGES		PART NO.
GENERAL SURFACE FINISH Ra 1.6UM		WPT-000285TJ2019MY-DATASHEET-dwg.1
DIMENSIONS IN MM UNLESS STATED		A3
DO NOT SCALE DRAWING		SCALE 1:20
		SHEET 1 OF 1

\*OPTIONAL ACCESSORY