

**WILLIAMS**  
JET TENDERS

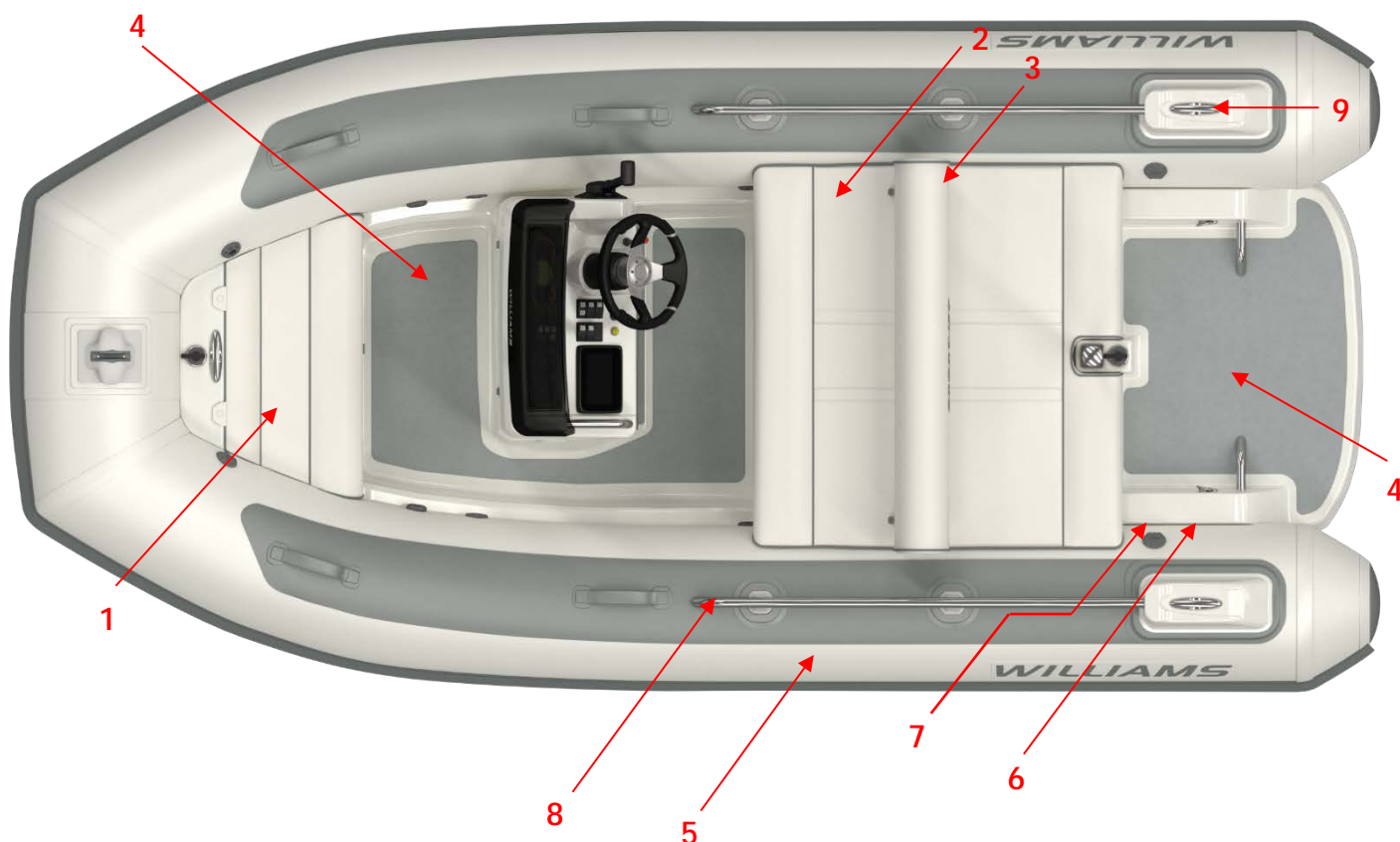
**SPORTJET** 400/460/520

2019 MY Parts Catalogue

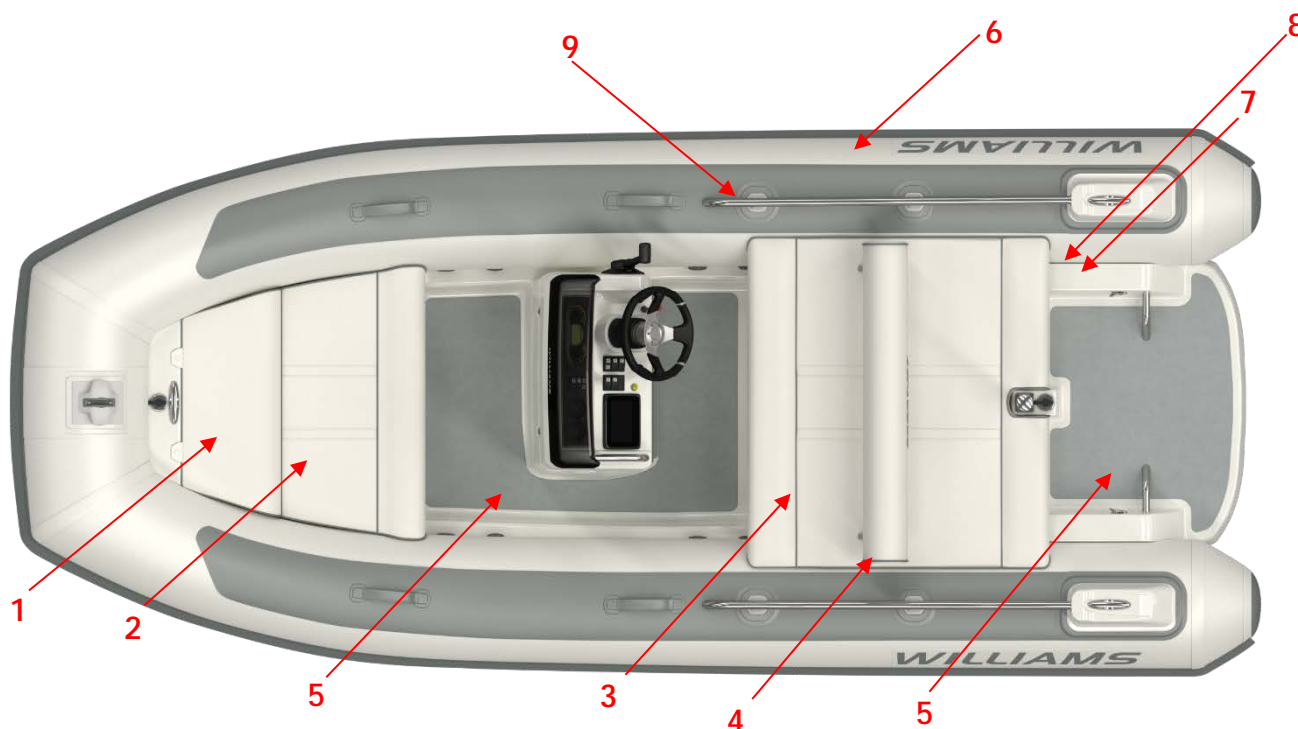


Issue Rev01	
Page 2	Sportjet 400 - Exterior
Page 3	Sportjet 460 - Exterior
Page 4	Sportjet 520 - Exterior
Page 5-6	400/460/520 – Fittings
Page 7	400/460/520 – Console
Page 8	400/460/520 - Engine Bay Components
Page 9-10	400/460/520 – Pump and Controls
Page 11	400-520 – Rotax 1503 Engine Service Parts
Page 12	400-520 – Accessories & Optional Extras

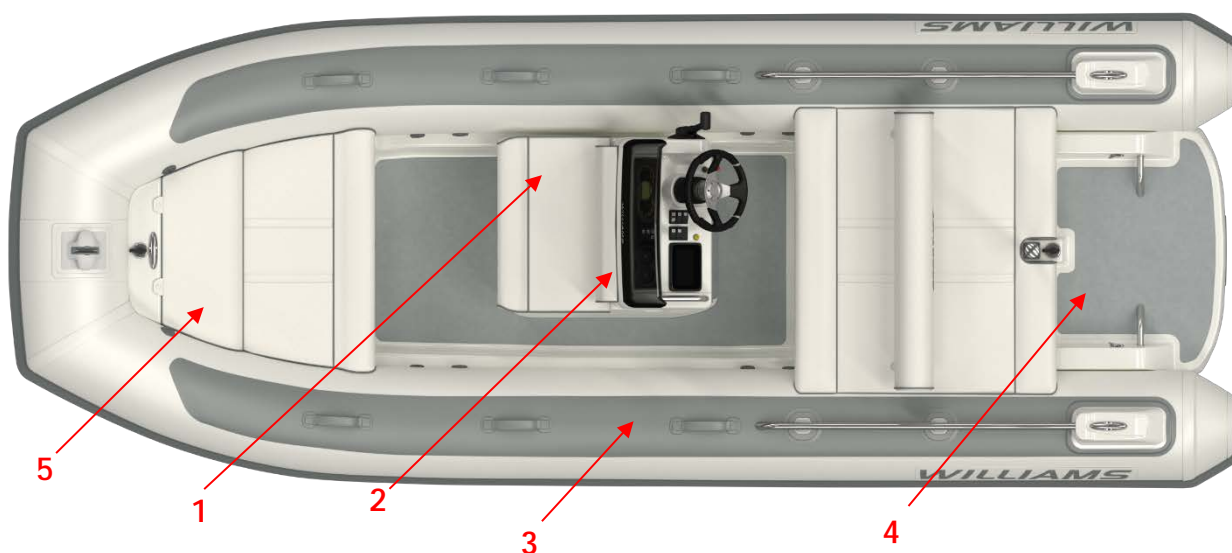
**Standard White Gel Coat – Scott Bader - 65PA, unless specified**



Position	Part reference	Description
1	02-0602-2016	Bow Cushion Raised – 400 Sportjet
1*	01-0680	Dieseljet Anchor Locker Bag rev 4
2	02-0600-2016	Main seat Cushion – 400, 460 & 520 Sportjet
3	02-0601-2016	Back rest Upholstery – 400, 460 & 520 Sportjet
-	01-1544	Backrest frame and tilting mechanism – 400, 460 & 520 Sportjet
Upholstery	01-1810 - 2017	400 Standard White Vinyl, Grey Piping, Logo Standard Grey, 2017
Upholstery	01-1811 - 2017	400 Standard White Vinyl, Blue Piping
-		
-		
4	01-1511-2017	400 SeaDek (set) 2017 Model ref 26446-80017
4	01-3123	400SJ Flexi Teak Decking
5	01-0400-02	400 Off White/Neptune Grey 2017 Tube Rev 2
-	01-0400-01	400 Dark Blue/Artic Grey 2017 Tube Rev 2
-	01-0400-05	400 Military/Artic Grey 2017 Tube Rev 2
-	01-0400-15	400 Carbon White/Carbon Black 2017 Tube Rev 2
-	01-0400-20	400 Carbon Black/Carbon White 2017 Tube Rev 2
6	01-1505	Fibreglass tube side strip – 400, 460 & 520 Sportjet (Pair)
7	03-0150	Side pod edge trim PVC nitrile white (1.5M) – 400, 460 & 520 Sportjet
8	01-1542 - 2017	Top Tube Handle- 400, 460 & 520 Sportjet
9	07-0015	Neatcleat 6 ref 66517-1" 400, 460 & 520

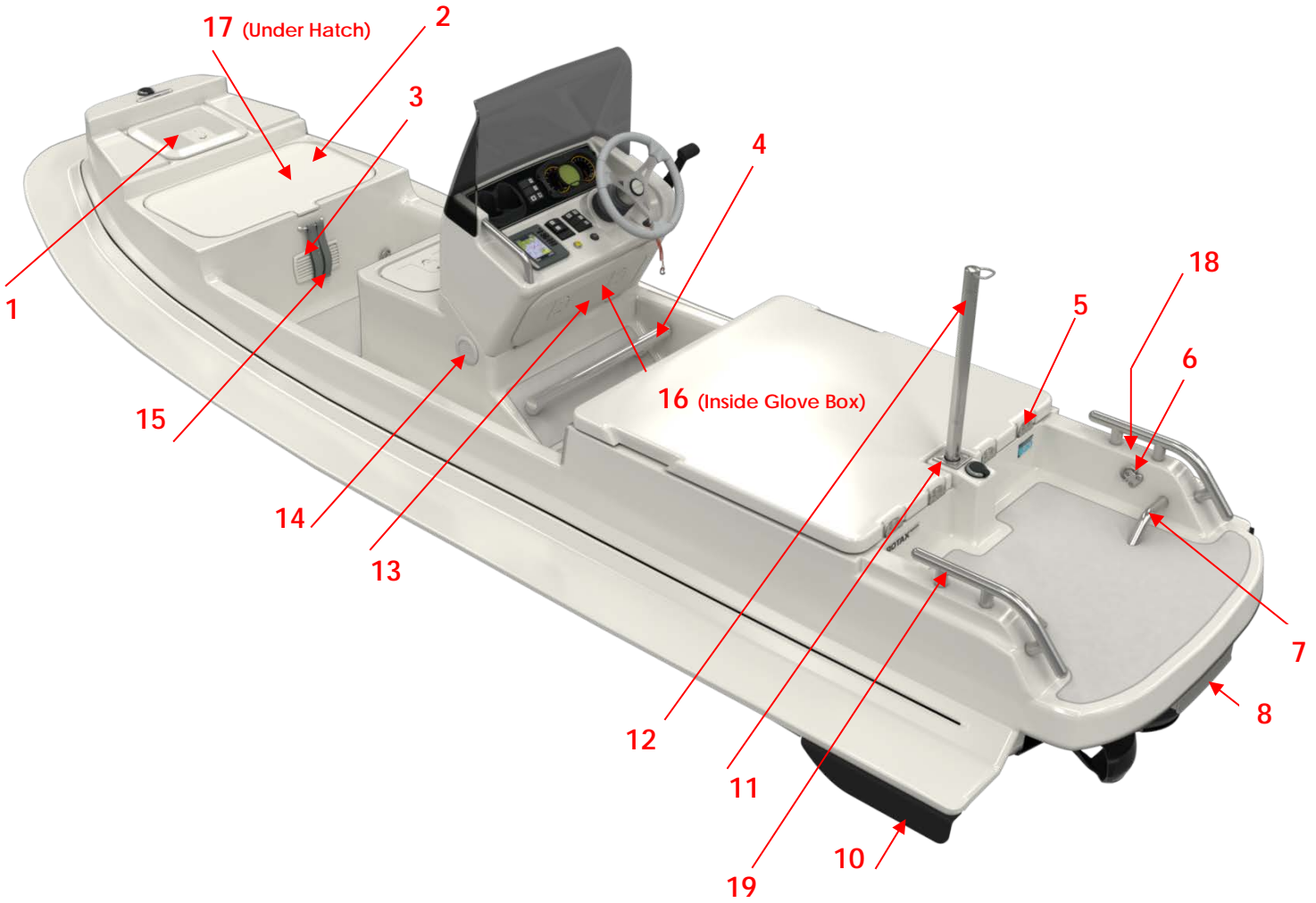


Position	Part reference	Description
1	02-0280-2016	Bow Cushion Raised – 460 & 520 Sportjet
1*	01-0680	Dieseljet Anchor Locker Bag rev 4
2	02-0285-2016	Bow Cushion - 460 & 520 Sportjet
3	02-0600-2016	Main seat Cushion - 460 & 520 Sportjet
4	02-0601-2016	Back rest Upholstery - 460 & 520 Sportjet
-	01-1544	Backrest frame and tilting mechanism – 460 & 520 Sportjet
Upholstery	01-1550 - 2017	460 Standard White Vinyl, Grey Piping, Logo Standard Grey, 2017
Upholstery	01-1551 - 2017	460 Standard White Vinyl, Blue Piping
-		
-		
5	01-1510 - 2017	460 SeaDek (set) 2017 Model ref 26445-80017
5	01-3124	460SJ Flexi Teak Decking
6	01-0460 - 02	460 Off White/Neptune Grey 2017 Tube Rev 2
-	01-0460 - 01	460 Dark Blue/Artic Grey 2017 Tube Rev 2
-	01-0460-05	460 Military/Artic Grey 2017 Tube Rev 2
-	01-0460-15	460 Carbon White/Carbon Black 2017 Tube Rev 2
	01-0460-20	460 Carbon Black/Carbon White 2017 Tube Rev 2
7	01-1505	Fibreglass tube side strip – 400, 460 & 520 Sportjet (Pair)
8	03-0150	Side pod edge trim PVC nitrile white (1.5M) – 400, 460 & 520 Sportjet
9	01-1542 - 2017	Top Tube Handle- 400, 460 & 520 Sportjet

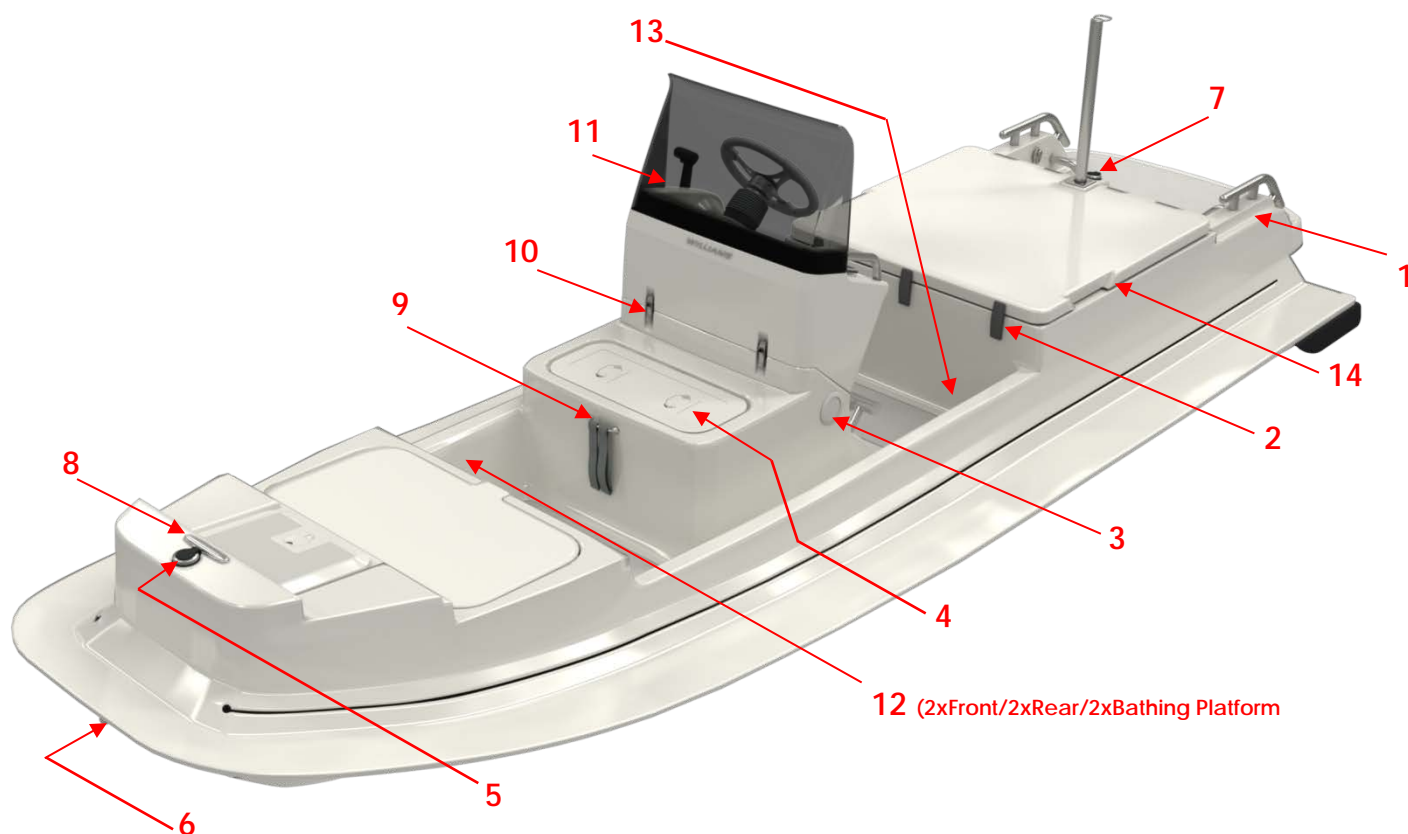


Position	Part reference	Description
1	02-0605-2016	Forward facing Helm Cushion - Sportjet 520
1*	01-1640	520SJ Locker Bag rev 2
2	02-0606-2016	Forward facing Helm Backrest - 520 Sportjet
3	01-0520 - 02	520 Off White/Neptune Grey 2017 Tube Rev 2
-	01-0520 - 01	520 Dark Blue/Artic Grey 2017 Tube Rev 2
-	01-0520 - 05	520 Military/Artic Grey 2017 Tube Rev 2
-	01-0520 - 15	520 Carbon White/Carbon Black 2017 Tube Rev 2
-	01-0520 - 20	520 Carbon Black/Carbon White 2017 Tube Rev 2
Upholstery	01-1610-2017	520 Standard White Vinyl, Grey Piping, Logo Standard Grey, 2017
4	01-1600-2017	520SJ SeaDek (set) 2017 Model ref 26444-80017
4	01-3125	520SJ Flexi Teak Decking
5*	01-0680	Anchor Locker Bag rev 4

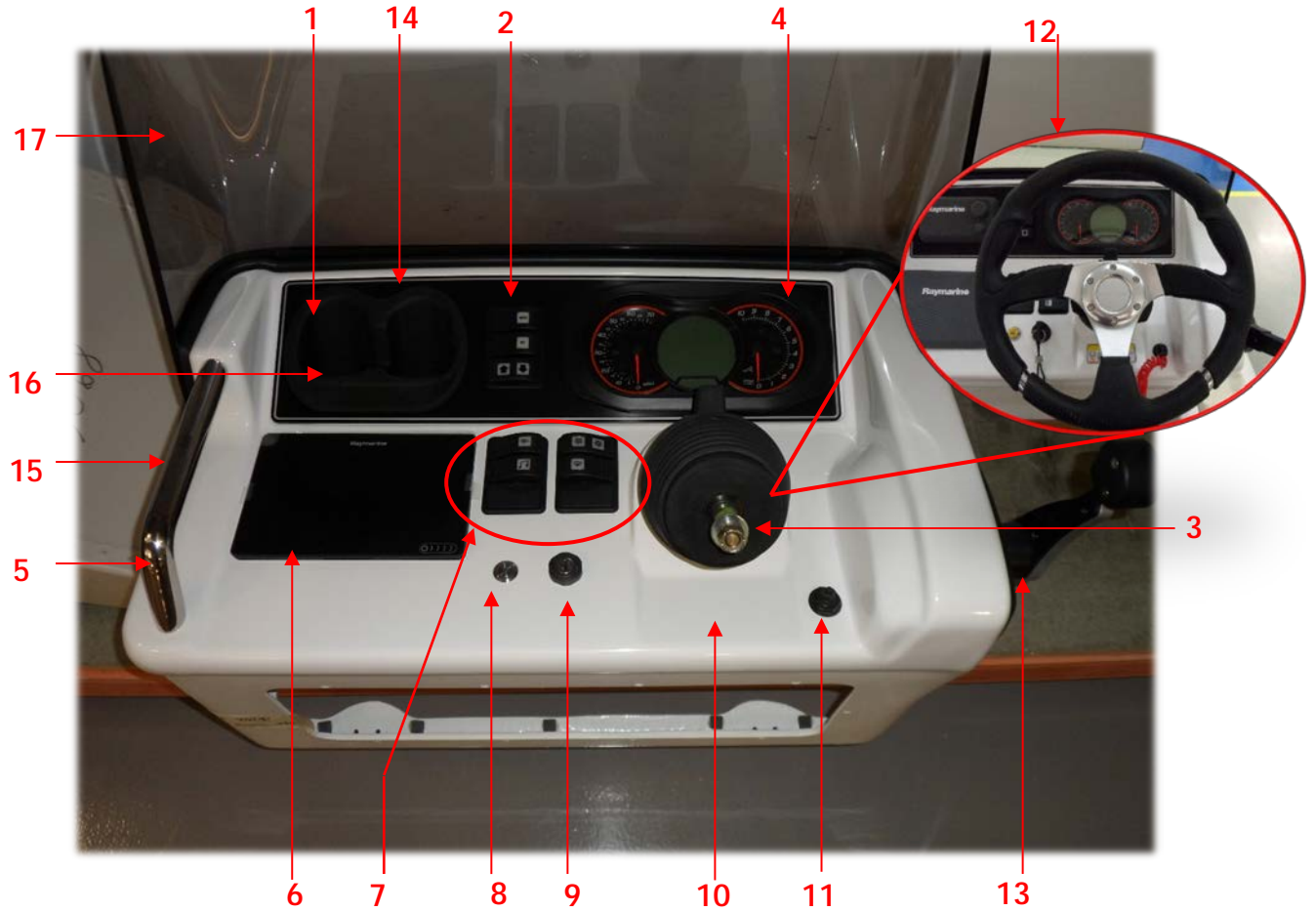




Position	Part reference	Description
1	01-0730	Anchor storage hatch (460/520)
2	01-1535	Forward storage hatch
3	04-0206	Air Vent (Rectangle)
4	01-1584	Footrest
5	05-0150	Engine Hatch hinge
6	05-0196	Lifting Points
7	01-1565	Bathing Platform Handle
8	99-0120	Bathing Ladder
10	01-1547	Sponson – Sportjet
11	07-0470	Ski Tow Rubber Cap
12	01-1539 - 2017	Ski Pole
13	01-0374	Helm storage locker hatch - Sportjet
14	01-0032	Air Vent (Round)
15	01-0072	Wrist strap grey
16	06-0049	12V Aux. power socket (400 Only)
17	06-0049	12V Aux. power socket (460/520)
18	01-0226	Flag Pole Base
18	01-0225	Flag Pole
19	Note	Not fitted on 2018 MY

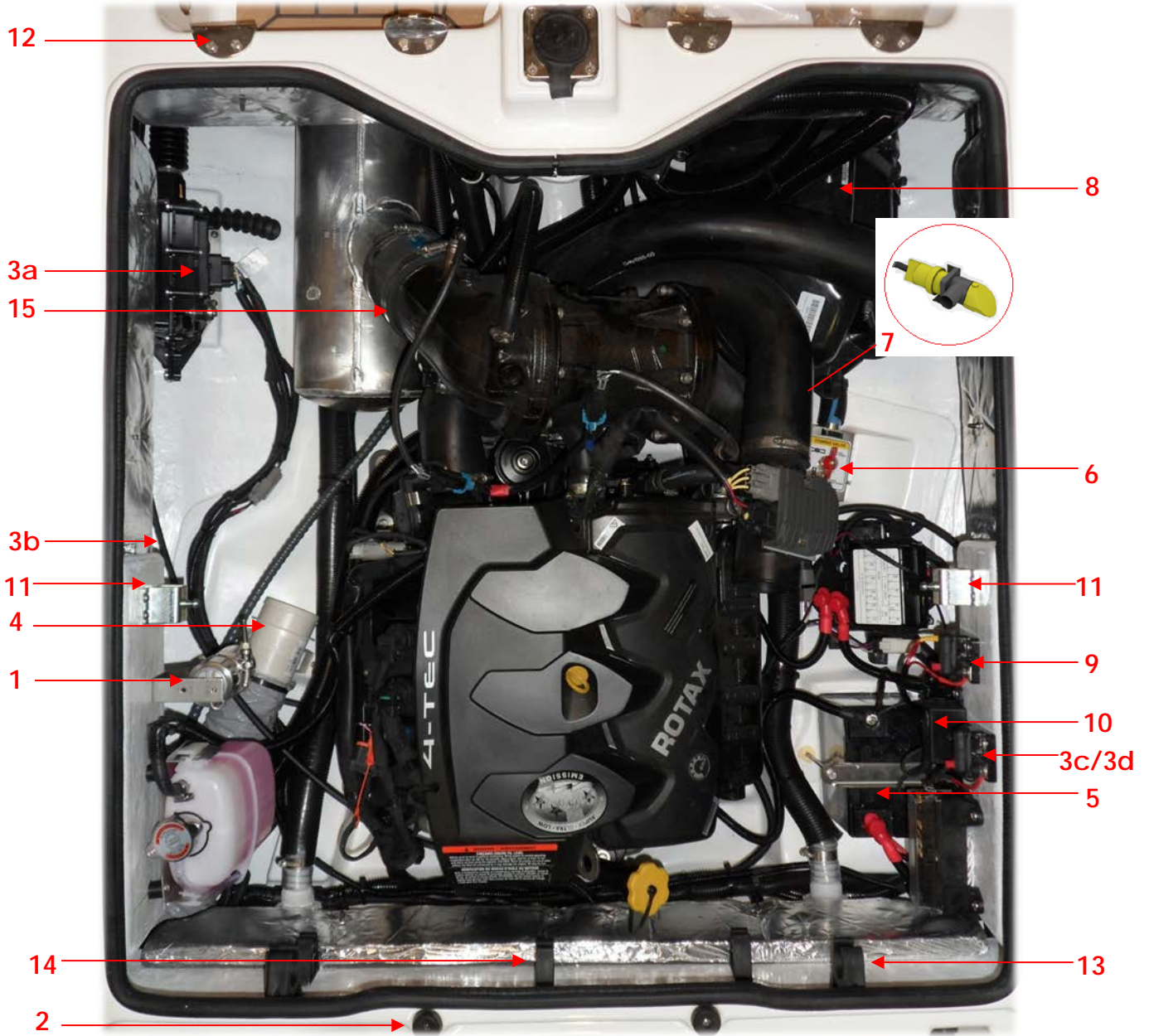


Position	Part reference	Description
1	07-0050	Tube securing plate 150x16x2mm
2	07-0036	Engine Hatch rubber catch
3	01-0032	Air vent
4	01-0374	Helm storage Locker Hatch – 520 Sportjet
5	06-0105	Navigation light Bi-colour Inc. locking base 1045
6	05-0190	Bow Eye
7	06-0360	Telescopic all round white light with socket
8	07-0015	Bow Cleat
9	01-0930	Webbing Bridge stainless steel (520 x 2)
10	07-0440	Helm Latch
11	01-1545	Screen – Sportjet
12	06-0336	Deck Light White 13.419.10.E01 (Option)
13	01-1543	Drain Bung ref Nuova Rade 45307 (x2)
14	09-0006	Engine Hatch Seal (DX75)

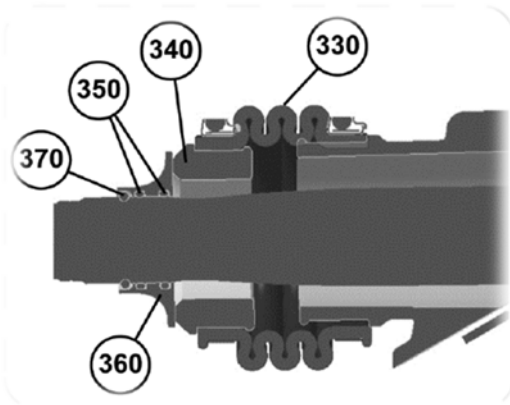
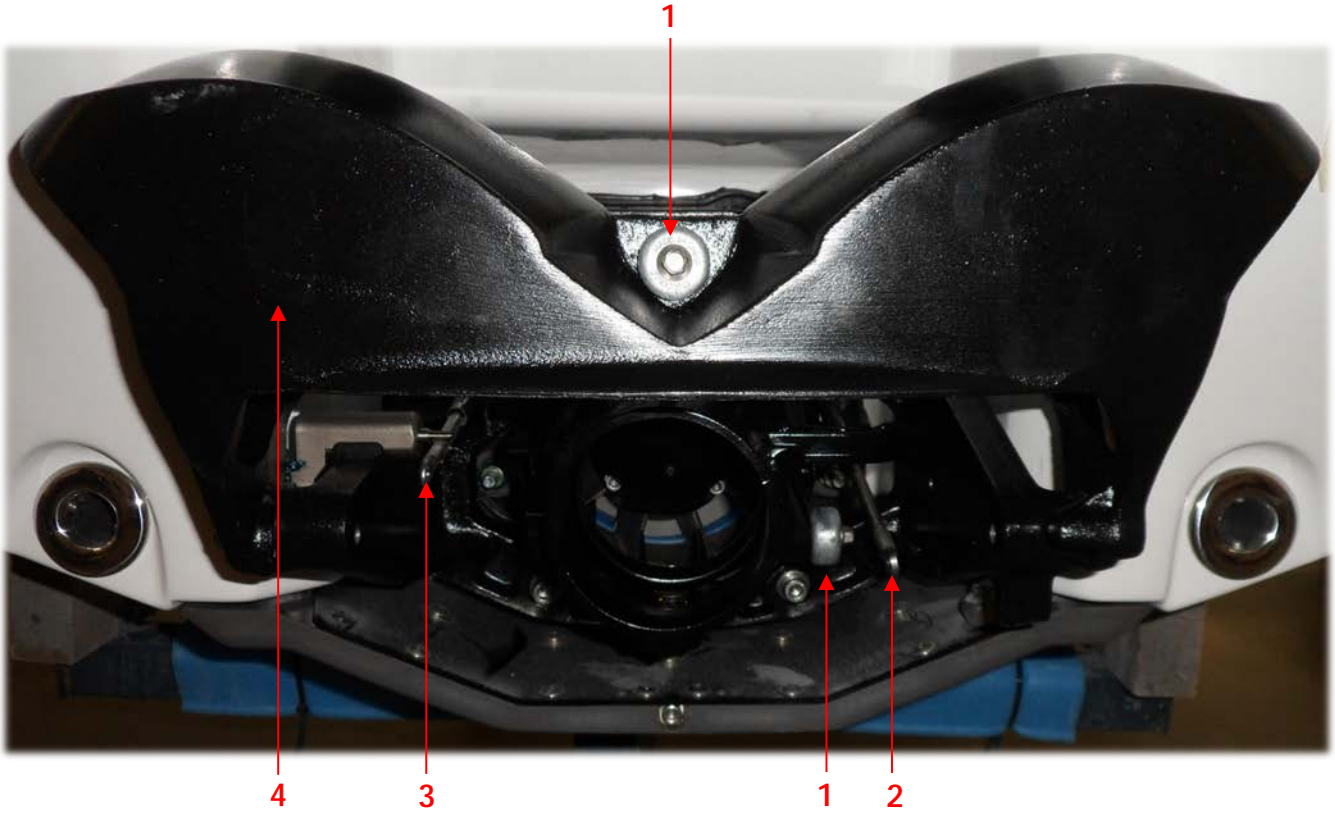


Position	Part reference	Description
1	01-1570	Cup holder (Note: When not fitted with VHF)
2	-	Display Switch Cluster
-	06-0530	Mode Switch
-	06-0531	Set Switch
-	06-0532	Toggle Switch
3	01-1701	Quick Release Hub (B&G) 2016
4	06-0500-2018	Cluster Single 17' Base 0461434-00 (iNR version)
-	01-1515	Instrument Display Bezel
5	01-1540	Helm Grab Handle
6	99-0950 (99-0910)	AXIOM 7 7" MFD (Transducer-99-0910)
7	-	Switches (all models)
-	06-0123	Bilge blower switch
-	06-0126	Music switch
-	06-0120	Navigation light switch
-	06-0121	Bilge pump switch
-	06-0124	Deck light switch
8	06-0702	Start/ Stop button
9	06-0460	Ignition switch Inc. key
10	07-0165	Tilt Steering Control
11	06-0020	Tether Switch – normally open
12	01-1681	SJ Steering Wheel Black R-Evo 125 5 PNF N WLLMS inc Hub
13	07-0551	Throttle Control iNR Asm Livorsi Left Mount 0461563
-	99-0901	Music package- BB300 (When fitted with Axion 99-0950)
-	06-0336	Deck lights (Option) White
-	99-0045	Depth sounder (Option)
15*	99-0905	Pacific Black Antenna 1m PA6054 with PL259 Connector for 445/505
15*	99-0906	Chrome VHF Rail Mount Fast Base Banten Q006351
-	99-0469	Fusion Bluetooth Module MS-BT200
-	99-0902	BB300 Black Box Uni Dock (When no MFD fitted)
14	08-0390	SJ Helm Facia Rev 4
14	08-0390-2017	SJ Helm Facia (VHF) RD752 (When fitted with a VHF)
16	99-0924	Ray 52 VHF Radio E70345
17	01-1545	Sportjet Windscreen Rev 2

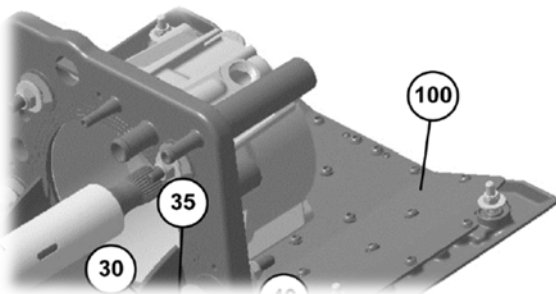
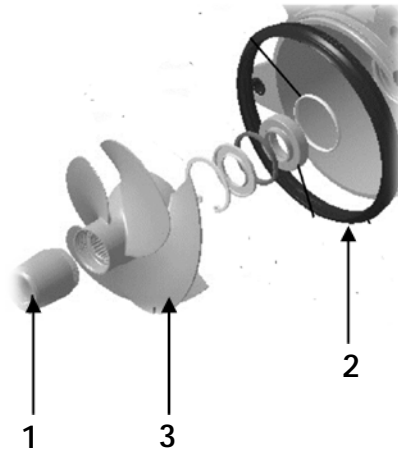
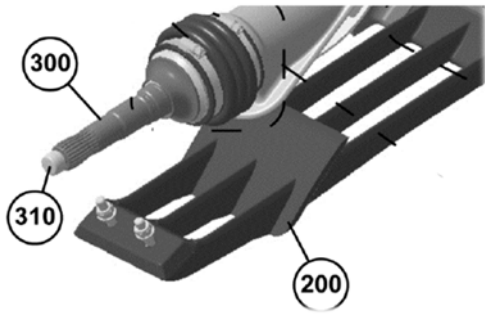




Position	Part reference	Description
1	99-0010	Fire Extinguisher
2	05-0301	Hatch Bump stop
-	07-0247	Gas Strut
4	07-0150	Bilge Blower
5	06-0090	Battery 12V – 28 Ah
6	04-0060	Towing Valve
-	04-0062	½" BSPT – ¾" Hosetail
7	07-0200	Bilge Pump Whale 650
8	02-1115	Resonator 1503 Rotax ref 0460771
8*	00-1017	Exhaust Outlet
3a	07-0550	iNR Module Assy 461344
3b	02-1140	0461352 - CABLE, E-REVERSE (Transom Fittings-Grommet 02-1176/LOCK Nut 02-1177)
3c	06-0534	Circuit Breaker 30A ref 8-27181
3d	06-0519	iNR Piggyback Harness SJ CE49176
9	06-0534	Circuit Breaker 30A ref 8-27181
10	06-0521	Sportjet Isolator Relay ref: Tyco V23132-A2001-B200
11	07-0478	Gas Strut Bracket Attwood SL77P3-1
12	05-0150	Hatch Hinge cast
13	05-0305	SJ Ski Pole Clip 37/40mm ref 34.358.38
13*	03-0204	Battery Retaining Strap (Vetus) <b>Each</b>
14	99-9999	Navigation & Anchor Light Clips
15	02-1164	Hose (1503)
15*	02-1165	Clamp (1503)



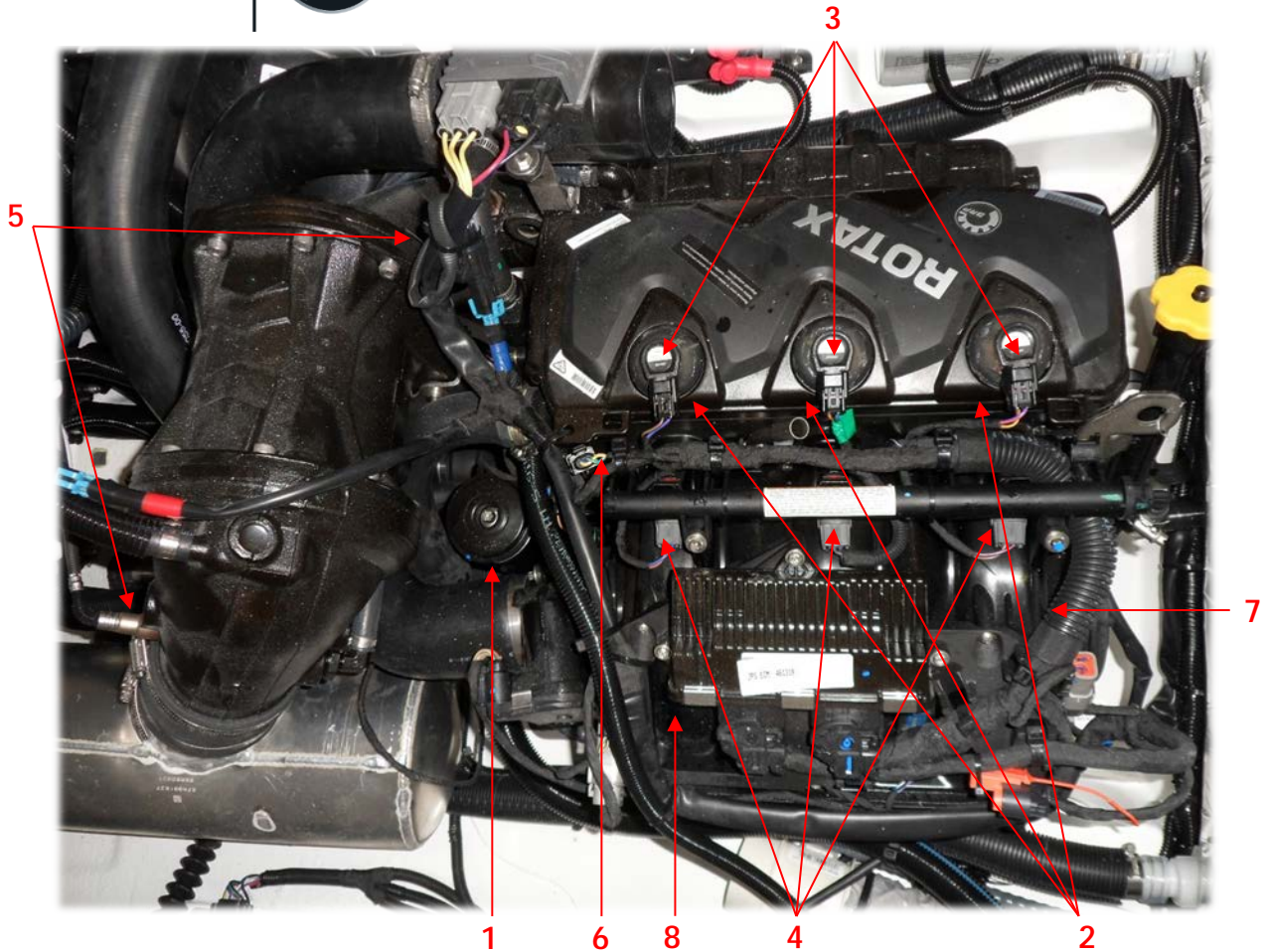
Position	Part reference	Description
1	02-1043	Zinc Anode 0460226 x 2
2	03-0463	Steering Cable 12' ref XL-JBS-E-5-12
3	02-1140	Cable, E Reverse 0461352
-	02-1044	Wear Ring 150mm ref 0460661 or 267000419 (150HP)
-	02-1046	Wear Ring 161mm ref 0460160 or 267000638 (200HP)
340/360	02-1025	Carbon Seal Floating Ring Kit (150HP)
370	02-1071	Floating Ring C-Clip (150HP)
340/360	02-1031	Carbon Seal Floating Ring Kit (200HP)
370	02-1072	Floating Ring C-Clip (200HP)
350	02-1033 x 2	O-Ring 200HP Floating Ring ref 0460335
350	02-1024 x 2	O-Ring, 150HP Floating Ring Ref: 293300044 (460332)
5	02-1048	Impeller Removal Tool ref 0460744 or 529035956 (200HP)
6	02-1049	Impeller Removal Tool ref 0460728 or 529035820 (150HP)
4	02-1155	Reverse Gate 1 Single model 0460051



Position	Part reference	Description
200	02-1150	Grate, fixed 1 single model ref 0460224
300	02-1151	Drive Shaft 1 <b>150 HP</b> Single models 0460211
300	02-1152	Drive Shaft 1 <b>200/250 HP</b> Single model 0460376
1	02-1153	Impeller Boot 1 <b>150HP</b> Single model 0460136
1	02-1154	Impeller Boot 1 <b>200/250HP</b> Single model 0460151
	02-1156	Neoprene Seal 1 0460327
100	02-1157	Ride Plate 1 single model 0460023
3	02-1045	Impeller Assy ref 0460175 or 0460971 ( <b>150HP</b> )
3	02-1047	Impeller Assy ref 0460169 or 267000748 ( <b>200/250HP</b> )
4	07-0465	Jet Pump Assy <b>150HP</b> 0480032-00
4	07-0466	Jet Pump Assy <b>200HP</b> 0480030-00
4	07-0468	Jet Pump Assy <b>250HP</b> 0480033-00



**ROTAX**



Position	Part reference	Description
1	02-1035	Oil Filter Kit ref 0460902
2	02-1042	Spark Plug (NGK DCP-R8E) 0460670
3	02-1053	Ignition Coil 0460679
4	02-1058	Fuel Injector (without CAT) 0460668 or 420874834
4	02-1059	Fuel Injector O Ring 0460426 or 420431890
4	02-1060	Fuel Injector O Ring 0460437 or 420631220
-	06-0510	Fuel Pump (short 290mm) Gasket & Tank Nut (All Models)
-	02-1064	Fuel Filter (Paper Membrane) ref 270600113 (Located inside fuel tank)
-	10-0251	Triple Guard Grease ref 296000329
-	10-0274	XPS Synthetic Grease 293550010
-	02-1040	Rotax Diagnostic Tool 529036353 MPI
-	02-1041	Rotax Diagnostic Tool 710000851 Cable
5	02-1086	O2 Sensor kit 0461576 (Includes Sensor & Oring)
6	02-1063	Engine Temp Sensor 0460688/278002895
7	02-1062	Manifold Air Temp Sensor (MATS) 0460681 or 420222423
8	02-1061	Manifold Pressure SEnsor (MAP) 0460680 or 420274057
9	02-1065	Exhaust temperature sensors ref 0460317-00
-	02-1057	Crank Shaft Position Sensor 0460685 or 420966570

Position	Part reference	Description
-	01-0275	Side Step (Tube) -Single
-	01-0171	Teak Inlay (Side Step) all Models (PR) rev 1
-	01-0173-2017	SeaDek Inlay (Side Step) Storm Grey with Bevelled Edge
-	99-2010-04-2017	400SJ Bimini Light Grey
-	99-2008-04-2017	460SJ Bimini Light Grey
-	99-2009-04-2017	520SJ Bimini Light Grey
-	99-3005-04	460SJ/400SJ Spray Dodger Light Grey
-	99-3003-04	520SJ Spray Dodger Light Grey

#### Weathermax Cover

Position	Part reference	Description
-	99-1013	400SJ Weathermax Cover
-	99-1010	460SJ Weathermax Cover
-	99-1011	520SJ Weathermax Cover

#### Chocks

Position	Part reference	Description
-	99-1510	400SJ White Chocks complete with sockets
-	99-1460	Sportjet 460/520 White Chocks complete with sockets

#### Platform Kit

Position	Part reference	Description
-	99-0320	Tie Downs Sportjet 400/460/520
-	99-0334	Lifting Strops Sportsjet 400
-	99-0335	Lifting Strops Sportsjet 460
-	99-0336	Lifting Strops Sportsjet 520
-	99-0340	Over Straps 400/460/520

#### Towing Kit

Position	Part reference	Description
-	05-0196 x 2	Pad Eye (Large)
-	07-0130 x 2	Laser Plate 60mm x 60mm (445 pad eye) 316L 3mm Rev 2
-	99-0480 x 1	Towing Straps (inc fixing) for customer fitment.

#### Other

Position	Part reference	Description
-	99-0024	High Speed Auto Electric inflator Bravo BST800 ref 6130132
-	99-0037	Accumate 6/12V with mounting bracket. (ACC EU)
-	99-0038	Accumate 6/12V ACC USA 110V
-	99-0200	Anchor S/S Claw 2kg complete with chain & rope ref 0058902
-	99-0006	Paddle ref 6293103 TSP50/120 Black