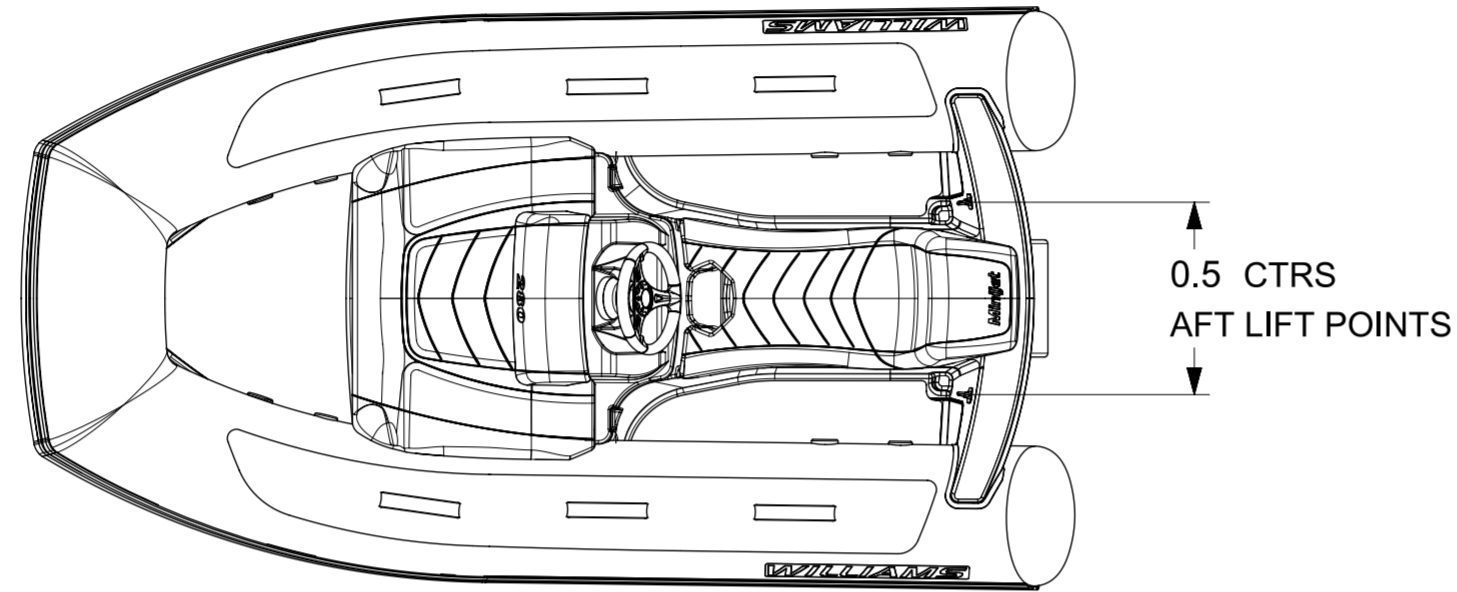


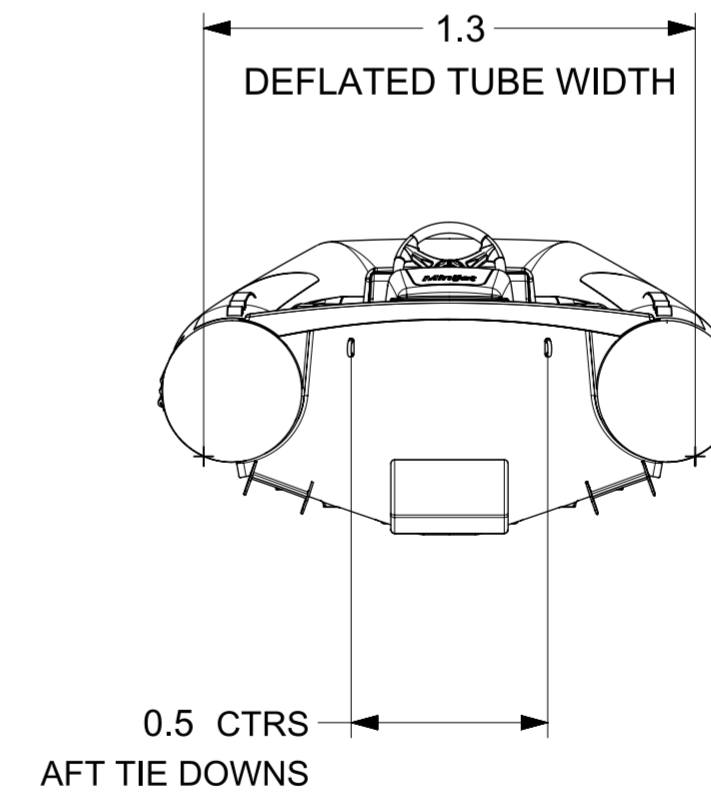
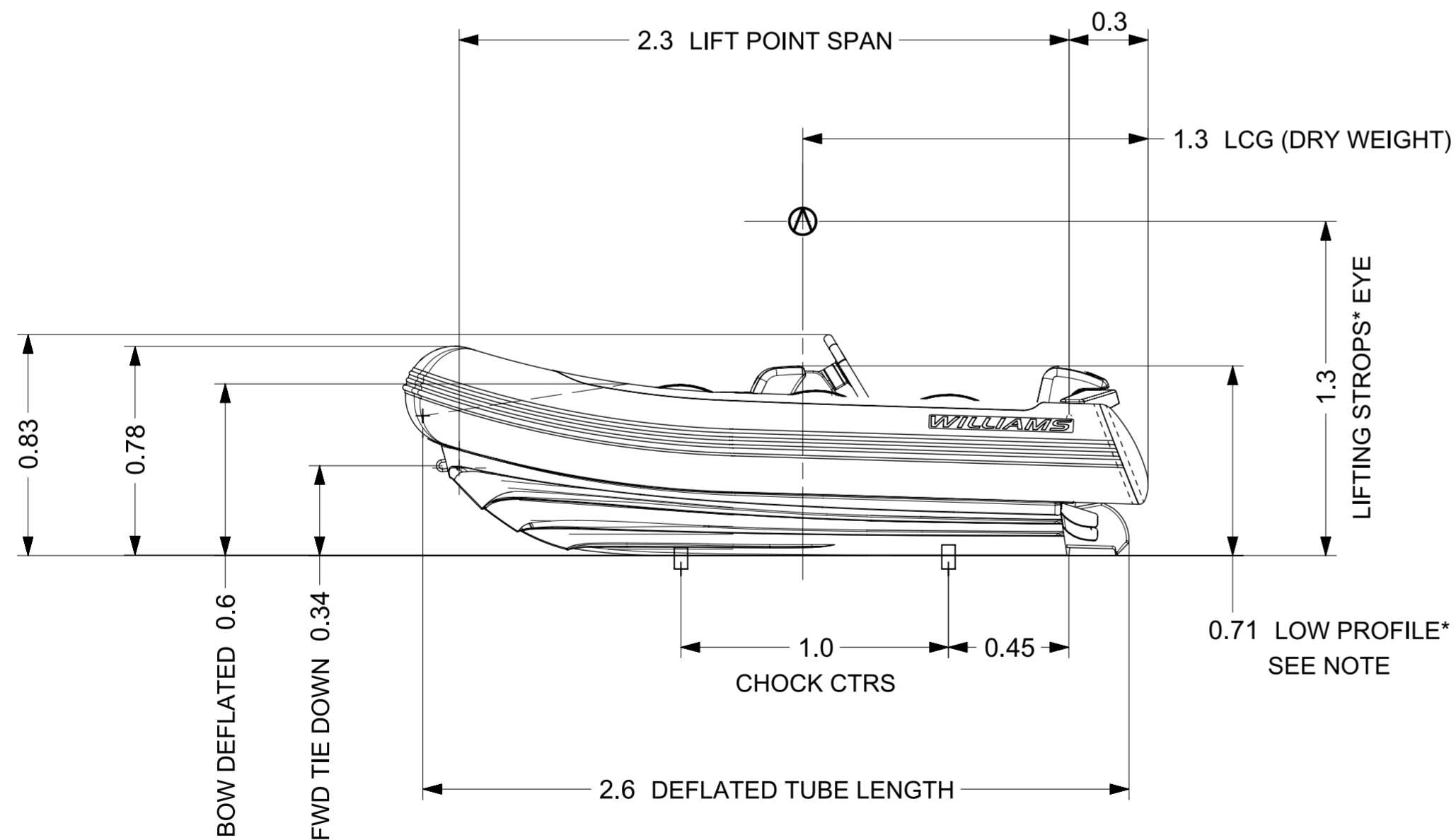
MINIJET 280

LENGTH O.A.	2.79m (±1%)
BEAM O.A.	1.54m (±1.5%)
DRAFT (LOAD DEPENDANT)	0.24m / 0.35m
ENGINE	ROTAX 900 ACE
POWER	50hp ≈ 37kw
DRY WEIGHT	210kg
SEATING CAPACITY	3
FUEL	PETROL
FUEL CAPACITY	28L
MAX. SPEED	38mph ≈ 61kph
No. TUBE COMPARTMENTS	4
CE DESIGN CATEGORY	C



NOTES:

1. LENGTH / BEAM TOLERANCE DUE TO VARIATION IN TUBE PRESSURE.
2. AVERAGE DRY WEIGHT STATED;
ACTUAL WEIGHT DEPENDENT ON OPTIONS FITTED.
3. LOW PROFILE SPEC:
 - REMOVE STEERING WHEEL (QUICK RELEASE TYPE REQUIRED*)
 - DEFLATE TUBES.
4. CHOCK PROFILE'S DRAWING: RD927
CHOCKS* PART NUMBER: 99-0926



*OPTIONAL ACCESSORY

REV.	DATE	DETAILS	GT	DBS
1	14/08/18	PRODUCTION RELEASE	GT	DBS

	GENERAL TOL. 0 ±0.50 0.0 ±0.25 0.00 ±0.10 0 ±0.50
--	---

DRAWN	GT	14/08/18
APPVD	DBS	14/08/18
PROJECT:	-	
INSPECTION LEVEL:	-	
MATERIAL & FINISH	-	
GENERAL SURFACE FINISH	Ra 1.6UM	
DIMENSIONS IN MM UNLESS STATED	-	
DO NOT SCALE DRAWING	-	

WILLIAMS	
MINIJET 280 (2019MY)	
PART NO.	WPT-000280MJ-2019MY-DATASHEET -dwg.1
SCALE	1:20
SHEET	1 OF 1

NOT FOR PUBLICATION - THIS DRAWING IS THE PROPERTY OF WILLIAMS PERFORMANCE TENDERS LTD. AND IS ISSUED ON CONDITION THAT IT IS NOT COPIED, RE-PRINTED OR DISCLOSED EITHER WHOLLY OR IN PART TO ANY THIRD PARTY NOT AUTHORISED TO RECEIVE IT

REMOVE ALL BURRS & BREAK SHARP EDGES

E